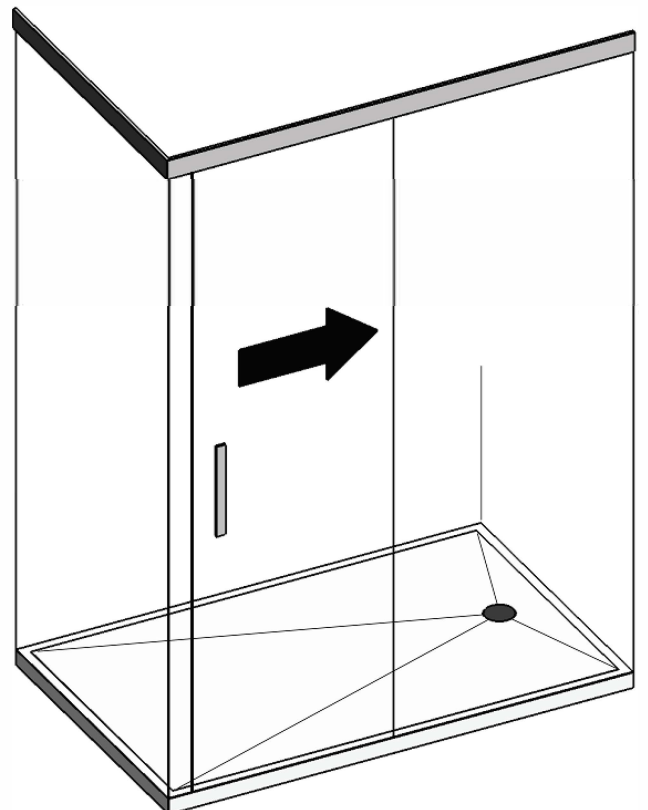


SERENEX SLIDING DOOR INSTALLATION INSTRUCTIONS



SERENEX SLIDING DOOR INSTALLATION INSTRUCTIONS

NOTE: Read and understand all instructions before installing this shower

GENERAL SHOWER INFORMATION

- Due to weight of panels and base, 2 people may be needed to install shower.
- Walls must be plumb to a 2-3mm tolerance where shower is to be installed.
- Floor must be square to wall.

GLASS SAFETY

- Keep glass standing upright.
- Always sit glass on a padded surface i.e. polystyrene.
- Take extra precautions with edges of glass panels.
- If toughened safety glass hits a hard surface or is hit by a hard object, it may shatter or compromise the integrity of the glass.
- It is recommended that safety gloves and glasses are worn during installation.

SERENEX SLIDING DOOR / /



PARTS LIST

INCLUDED

1. Glass Panels
2. Channel Extrusion kits
3. Installation kit
4. Shower Base
5. Easy Clean Waste
6. Silicone Adhesive
7. Hardware

NEEDED

1. Caulking Gun
2. Level
3. Masking Tape
4. Drill
5. Screw Driver
6. Spray Bottle with Soapy Water
7. Paper Towels
8. Tape Measure
9. Gib Cutter (if Gib already run to the floor)
10. Hack Saw or Drop Saw

IMPORTANT INFORMATION:

Please read all instructions and warranty information before beginning installation.

It is assumed that this installation is being carried out by qualified trades-people.

The Serenex shower base is a durable product but care must be taken during installation. Rough handling, impacts to wall flanges and other areas can cause unnecessary breaks which are not covered under warranty.

Please carefully lift and lower the shower base into position. Suction handles as used by glaziers can be very useful for this. **DO NOT DROP, HIT OR SLIDE SHOWER BASE.**

Once out of its freight packaging and after installation we firmly recommend keeping the base surface covered to remove the risk of unnecessary damage i.e. dropped tools, tiles, glass, paint etc. The packaging can be easily cut down/modified to make a covering until work is complete.

ORDER OF SHOWER INSTALLATION WITH ACRYLIC LINER

1. Base
2. Gib Lining
3. Acrylic Liner
4. Channels
5. Glass
6. Sliding Door Track
7. Door

ORDER OF SHOWER INSTALLATION WITH TILED WALLS

1. Base
2. Gib Lining
3. Water Proofing
4. Channels
5. Tiles
6. Glass
7. Sliding Door Track
8. Door

INSTALLATION INSTRUCTIONS

1. DRY FITTING THE BASE

- Clean/prepare floor surface in accordance with directions on adhesive. Check floor for level surface, noting any humps and falls. The floor must be completely clean and free from all dust. Walls should be plumb.
- Fit the shower base into position by carefully lifting and lowering into place. The shower base must fit square/plumb to adjacent walls and be rock solid under foot.
- Ensure the inside face of the upstand is flush with the Gib. The acrylic shower bases are designed with an upstand that requires the tray to be fitted hard up against the timber framing and for the GIB board to sit flush with the top of the upstand. This allows the acrylic liner or waterproofing to cover that join between the upstand and Gib, creating a waterproof seal.
- If the GIB board has been fitted down to the floor and covering the framing where the base needs to be, you need to place the tray up against that area and using a pencil trace along the top of the upstand onto the Gib.
- Remove the base and cut the Gib along the pencil line with a Gib cutter and remove. This will give you the necessary clearance to fit the base up against the framing.
- Once base is re-positioned, connect the waste trap to the shower tray according to the manufacturer s instructions.

SERENEX SLIDING DOOR INSTALLATION INSTRUCTIONS

2. FIX THE SHOWER BASE IN PLACE

- Apply Hybrid Silicone on the underside of the tray to all surfaces that will contact the floor, and carefully place the tray into position.
- Silicone the join between the bottom of the GIB and the top of the upstand.
- The use of additional structural strength can be obtained by gluing the tray to the floor with an approved adhesive. Please ensure the tray is level and true before the final fixing.

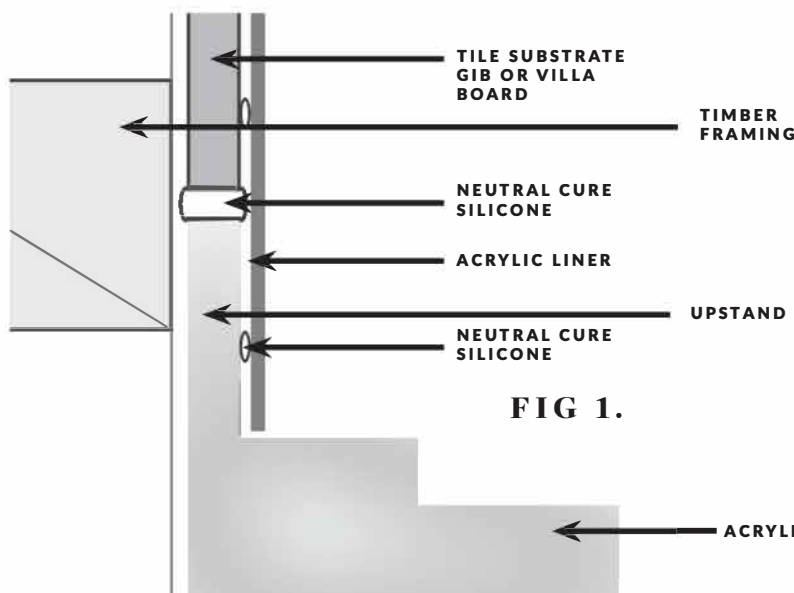
WATERPROOFING FOR ACRYLIC LINERS

You do not need to add the extra waterproof bandage or membrane if installing an acrylic liner as this acts as the waterproofing method (**FIG 1**). Please see Crest s Acrylic Wall Liner Instructions for application procedure.

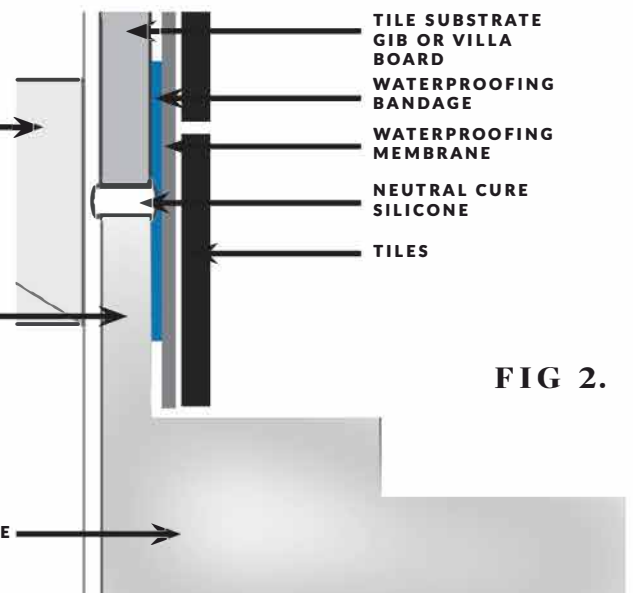
WATERPROOFING FOR TILED WALLS

Crest Showers recommends applying a waterproof bandage covering the join between the top of the upstand and the bottom of the Gib board before applying waterproofing membrane down to the bottom of the upstand (**FIG 2**). However, it is up to your registered waterproofer s discretion whether they wish to follow this recommendation.

ACRYLIC LINERS



TILED WALLS



SERENEX SLIDING DOOR INSTALLATION INSTRUCTIONS

3. ACRYLIC LINER

- If using an acrylic liner, ensure this is installed prior to the wall channels being fitted.

4. INSTALLING GLAZING CHANNELS

- Use a 2 meter level to check walls are within 2-3mm of plumb.
- Using measurements on dimension sheet, mark out channel positions on base. Set out floor channels and check shower entry space dimensions are correct.
- Clean base and underside of channel with a dry rag.
- Place floor channel in position. Remove plastic backing from stabilizer blocks and adhere to base either side of channel to keep in place (**FIG 3**).
- Slide wall channel on top of floor channel, making sure they butt up to each other and insert channel connector inside wall to floor join to help line up the wall channel (**FIG 4**).
- When plumb, drill 2 holes (3.5mm Dia.) in wall channel, lining up with framing locations. (**FIG 5**). The top hole should be within 100mm of top of channel and the second hole within 1000mm of top of channel. No screws will be required lower than 12mm up from bottom of base.
- Remove dust from holes and from inside floor channel.
- Clean underside of wall and floor channels with a dry rag before running a thick bead (be very liberal to allow overflow and proper adhesion) of silicone in a continuous line down the entire length of the back of the channel (**FIG 6**) and place into position. Pop out channel connector and apply silicon into the floor to wall junction, popping the channel connector back in once done.
- Inject silicone into and around screw holes. Ensure wall channel is plumb, then screw in place.

IMPORTANT: PLEASE MEASURE WALL CHANNELS

For sliding door showers, wall channels will measure 1930mm.
If custom panels, your wall channels will measure 20mm less than your glass height.



FIG 3.

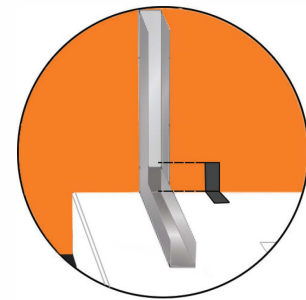


FIG 4.

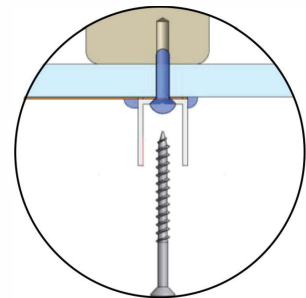


FIG 5.

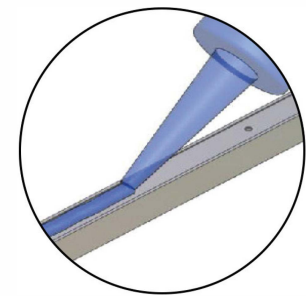


FIG 6.

GLAZING CHANNELS

IMPORTANT

As an added waterproofing precaution, you can apply a continuous bead of silicon down the whole length of the wall channel, either on the interior or exterior of the wall channel as at your discretion.

5. TILING

If tiling, ensure this is done after the wall channels are installed, and before the glass panels are fitted.

CORNER SLIDING DOOR / /

6. INSTALLING PANELS

IMPORTANT: We highly recommend dry fitting fixed panels prior to installation to ensure exact measurements of required sliding door gap is achieved as pictured in supplied dimension sheet. Ensure all fixed panels are plumb and level. Use setting blocks as detailed below to achieve this.

- Place a spirit level on top of the floor channel, and insert packers under it to achieve a suitable level.
- Insert an 8mm packer in the wall/floor corner of the channel and add/remove packers, as determined above, at the other end of the panel.
- Repeat for remaining panels
- Ensure that the tops of the panels are all level and in line with each other. You may need to fine tune the packers to achieve this.
- When panels are correctly aligned, remove Panel 1 (**FIG 7**), and run a thick continuous line of silicone down the inside of the wall channel (**FIG 8**) and apply liberally in the wall to floor channel join and along the floor channel to the length of the glass panel.
- Slide glass panel into position (**FIG 9**) and use small wedges (**FIG 10**) or a flat plastering blade to slide glass panel back to inside edge of channel and against silicone.
- Ensure panel is still level and plumb.

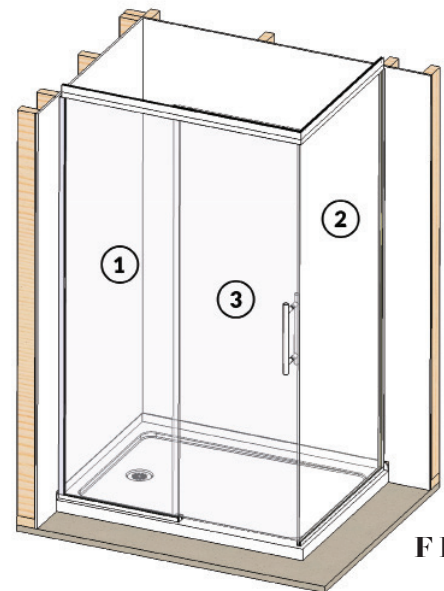


FIG 7.

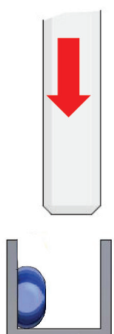


FIG 8.



FIG 9.

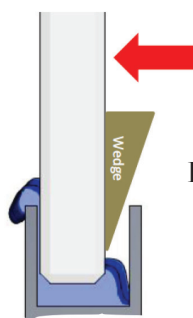


FIG 10.

7. FINISHING GLAZING CHANNEL TO GLASS PANEL JOIN

- Starting at the top of the wall channel, from outside shower, spray with warm soapy water then insert rubber wedge seal into gap (removing timber wedges if used)(**FIG 11**). Leave rubber wedge protruding 4 mm at top to cut off later.

IMPORTANT: Rubber wedge must be pressed into channel lightly from top to bottom before pushing right in. This method ensures rubber wedge does not get stretched and then shrink later.

- Repeat steps 7 and 8 with applicable panels.

FOR GLASS TO GLASS JOINS:

- Dry fit the panel, using the same packer as the panel you are joining to.
 - Check that door gap is the same at top and bottom of panels
 - Run a continuous bead of silicon down entire length of 10mm face of installed wall to glass panel and across floor channel to the width of the glass to glass panel (**FIG 12**).
 - Gently place glass to glass panel into siliconed floor channel and tilt gently upwards until it joins to glass to wall panel (**FIG 13**). Ensure there is no side to side movement while placing panel as this will smear silicone.
 - Hold glass to glass join in place with insulation/gaffa tape (**FIG 14**).
 - Allow silicone to cure for 48hours before installing top rail.
-
- Cut off excess rubber wedge.
 - Spray channels and glass with slightly soapy water then use spatula provided to clean off excess silicone (**FIG 15**). Repeat this process 3 times. Use minimal water then wipe off with paper towels. Tough Wipes or Baby Wipes are also good to use for this.

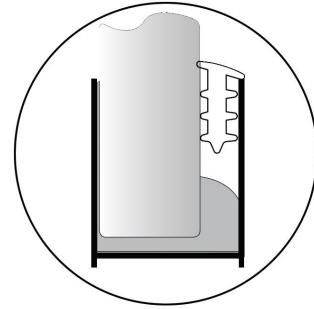


FIG 11.

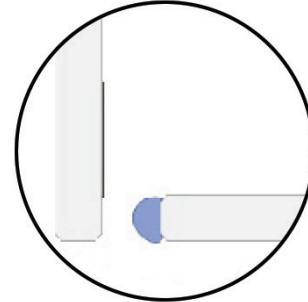


FIG 12.

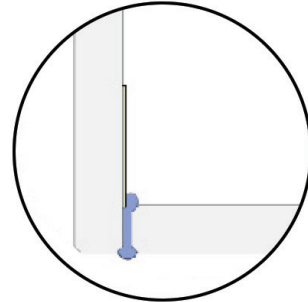


FIG 13.

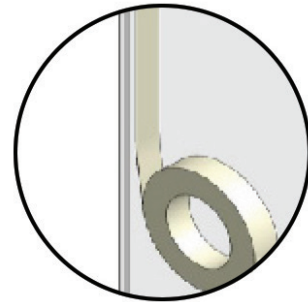


FIG 14.

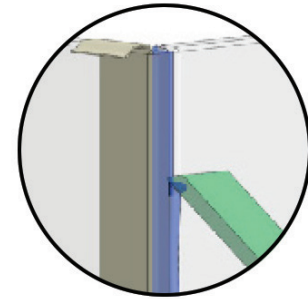


FIG 15.

IMPORTANT

- Check the length of the sliding door track once the fixed panels are installed plumb and level. If necessary, you may need to trim (the square cut end) in order to obtain the exact correct length as the measurement after tiling has been done could vary slightly.
- Place the glass sliding door (still in its packaging) inside the shower cubicle and out of the way before fitting the sliding door track.

8. DRY FITTING SLIDING DOOR TRACK

- With corner showers, use the grey corner block in the mitred corner (**FIG 16**) to support the mitre. This should press into the mitred corner, and be a tight snug fit.
- Once corner mitre has been fitted together, neatly drill 2x 3.5mm locating holes down through the top of the sliding door track (in the centre of the rebated slot) and 3. mm pilot holes (3 mm deep) into the nylon corner block (**FIG 17**).
- Screw in the self-tapper screws supplied. This will hold and lock the corner mitre block together.
- Carefully bruise the sharp corner of the mitre with a rounded screwdriver shaft or similar to remove the sharp edge of the external corner.

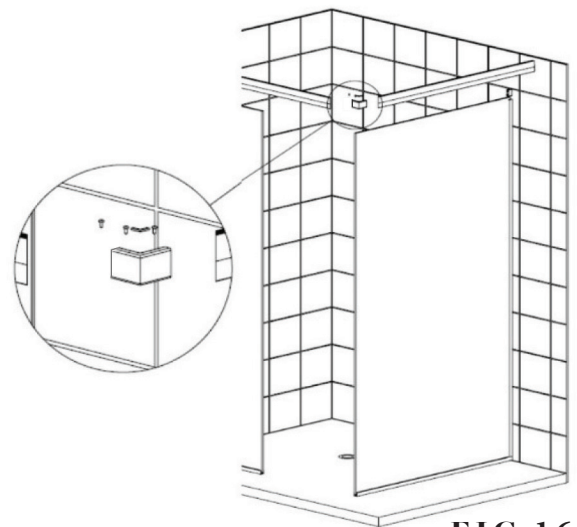


FIG 16.

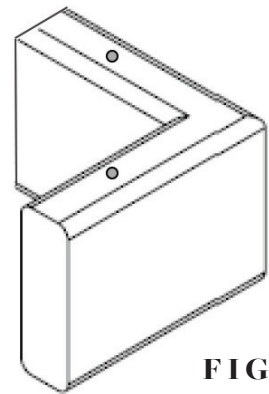


FIG 17.

9. FIT SLIDING DOOR GUIDE

- Place bottom door guide into end of fixed panel floor channel, pressing firmly into place (**FIG 18**). No screws are required though a small amount of silicone may be used if desired.

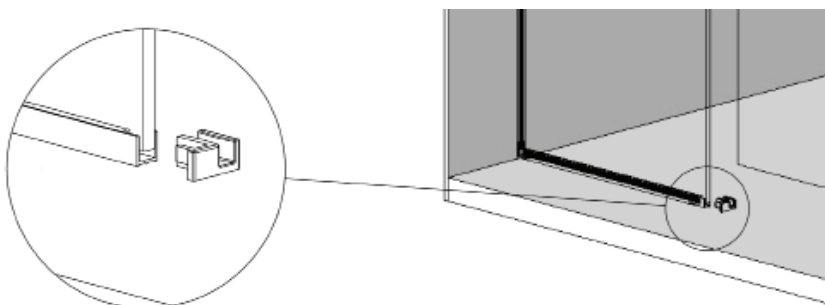
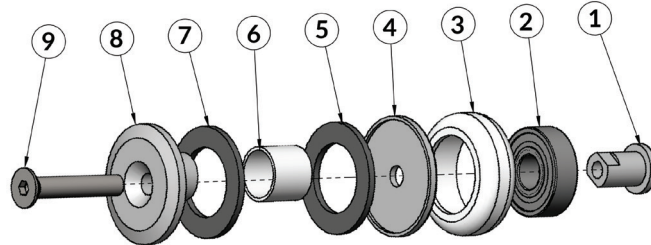


FIG 18.

SERENEX SLIDING DOOR INSTALLATION INSTRUCTIONS

IMPORTANT

- The roller components will be supplied as a single assembled piece. Separate parts 1-3 (keeping them together as an entire component) from the assembly. These parts will be slid into the sliding door track.



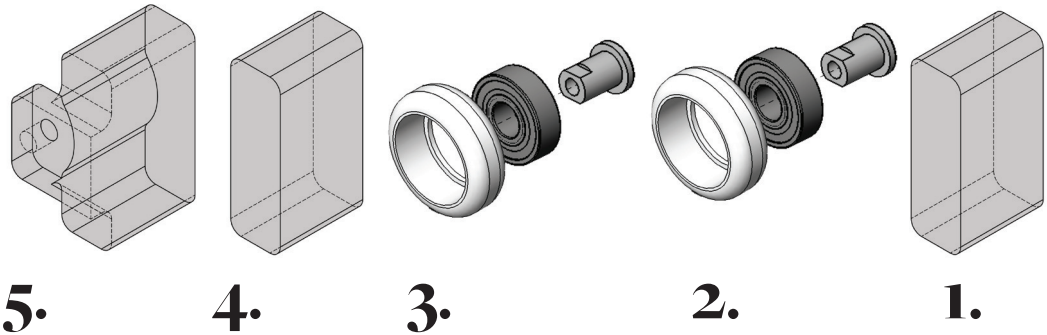
10. INSERT STOP BLOCKS, WHEELS & WALL ANCHOR BLOCK

- Slide the components into the sliding door track in the following order:

CORNER SHOWER

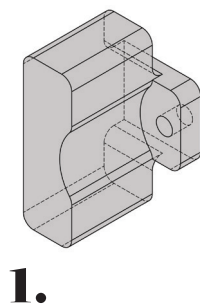
DOOR SIDE

1. Stop Block
2. Wheel
3. Wheel
4. Stop Block
5. Wall Anchor



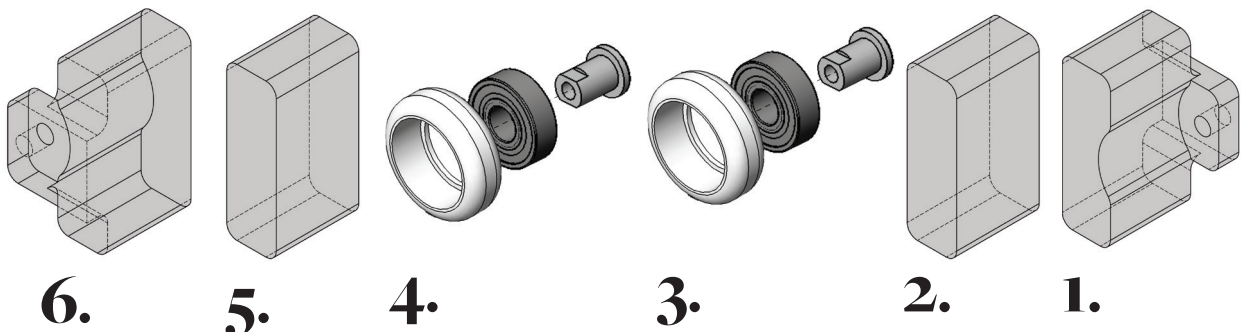
RETURN PANEL SIDE

1. Wall Anchor



ALCOVE SHOWER

1. Wall Anchor
2. Stop Block
3. Wheel
4. Wheel
5. Stop Block
6. Wall Anchor



SERENEX SLIDING DOOR INSTALLATION INSTRUCTIONS

crest
showers

11. FITTING THE SLIDING DOOR TRACK ON TOP OF THE FIXED GLASS PANELS

- Use 2mm setting blocks on top of fixed glass panels to prevent the sliding door track metal directly contacting the glass (**FIG 17**). Dry fit and position on top of glass.
- Ensure the Wall anchor block are fitted to the sliding track and offer it up into position.
- Double check the sliding door track is level. Adjust with setting blocks if necessary.
- When you are confident the track fits neatly and correctly in place, mark the top channel at the edge of the glass and, mark the wall anchor block screw position and remove sliding door track .
- If installing on a tiled wall, drill the anchor block holes and fit wall plugs as detailed in **STEP 12**.
- Place a generous bead of silicone in the underside groove of the sliding door track (**FIG 20**).
- **NOTE: DO NOT PUT A SILICONE BEAD ABOVE THE DOORWAY.**
- Carefully refit the sliding door track with the silicone in the groove back onto the top of the glass panels.
- Press down and position the sliding door track into place. Check for level and support if needed with wooden setting blocks while the silicone sets.
- Clean off any silicone with soapy water from a spray bottle then scrape off the surplus silicone with the spatula. Repeat this procedure again until all the silicone has been removed and cleaned off glass.

12. SECURE THE WALL ANCHOR BLOCKS

- Once the sliding door track has been fitted and held in place, the wall anchor blocks can be moved into position towards the wall (**FIG 21**).
- Carefully drill and screw 1x 6 gauge stainless screw through the pre-holed tab and into the wall. As this is only taking side load (i.e. no tension load pulling the screw out) it is not imperative to have this screwing into solid wall fixing/nogging.
- Once the pilot hole for the screw has been drilled, fill the hole with silicone in order to seal off the hole.

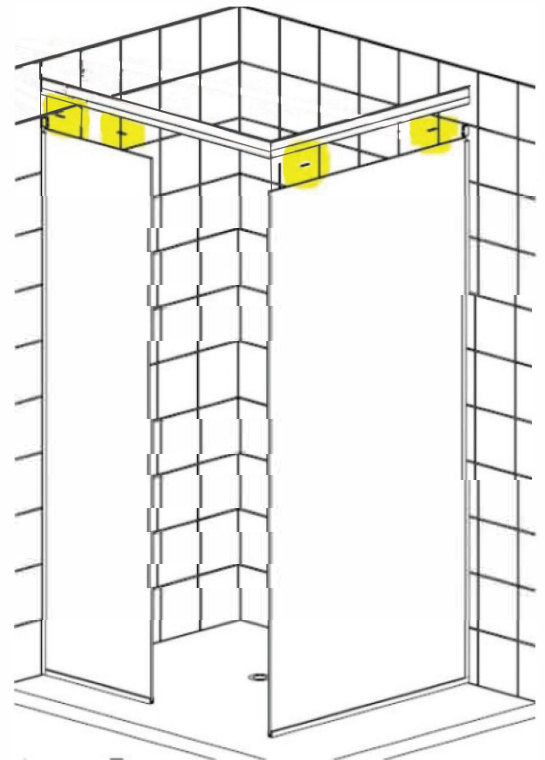


FIG 19.

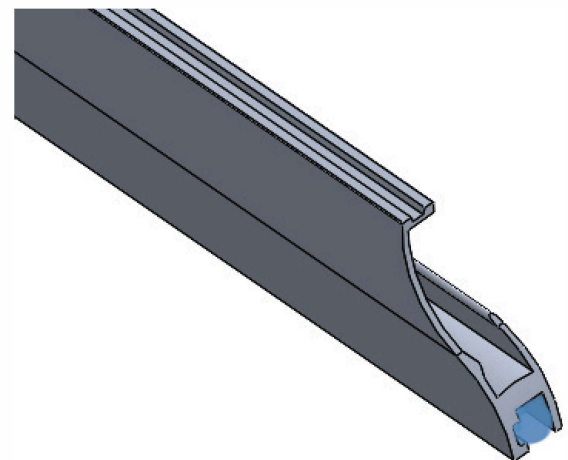


FIG 20.

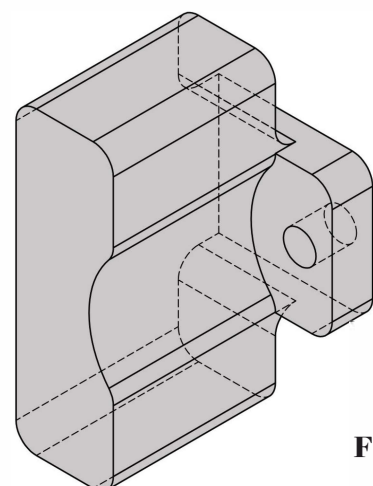


FIG 21.

12. FITTING THE DOOR ROLLERS ONTO THE GLASS

- Separate parts 4 through 6 (bush) from parts 7 through (hub).
- Unwrap door and place in correct position.
- With the bush and hub pre-assembly in the opposite sides of the holes (**FIG 23**), place the glass sliding door into position on the wooden wedges, aligning the roller wheel holes at the top of the door as close as possible to align with the rollers in track.
- Using the wooden wedges to raise and lower the door, use the allen key to engage and screw in the bolt (**9**, **FIG 22**).

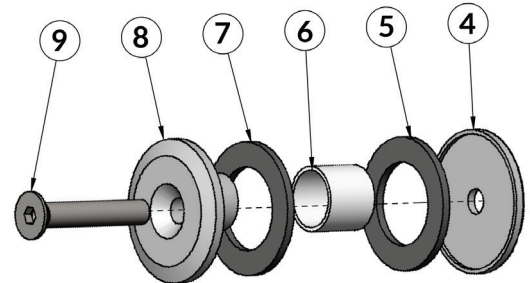


FIG 22.

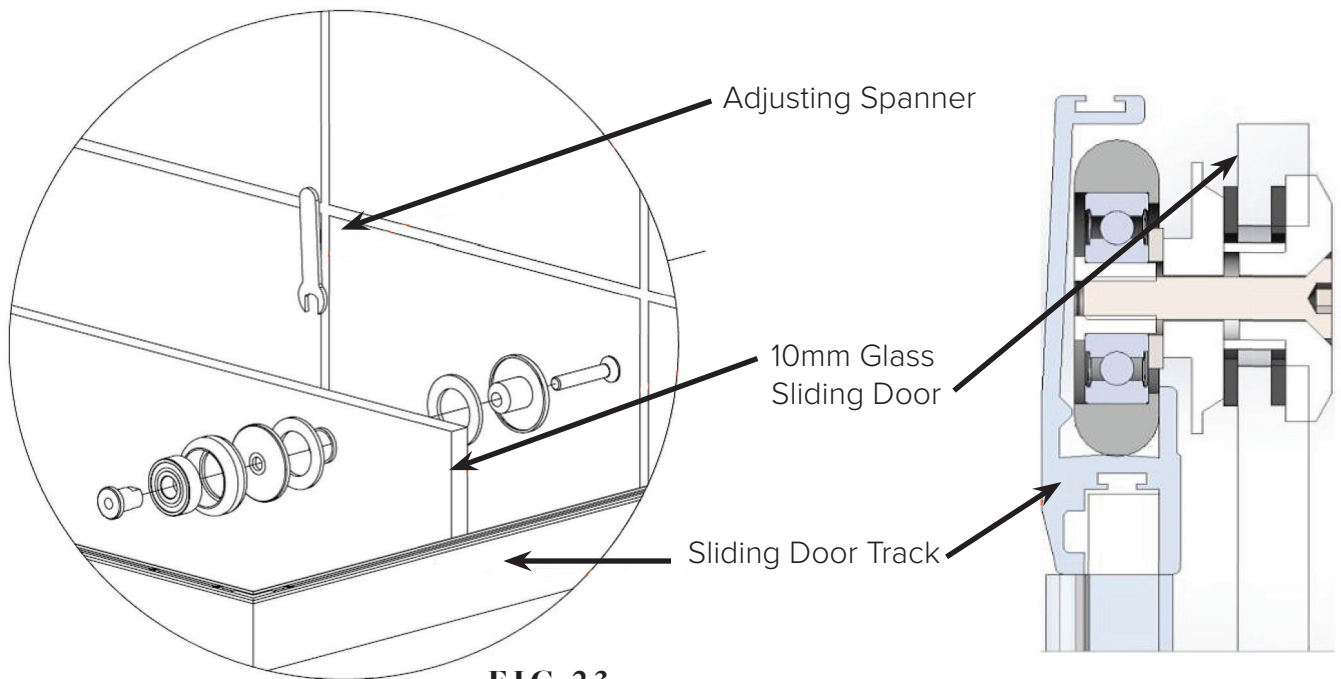


FIG 23.

- Make sure the nylon washers are flat against the glass so no metal contacts the glass (**5 & 7**, **FIG 22**).
- Ensure the nylon bush is located correctly inside the hole to protect the glass from contacting the axle bolt.
- Slowly tighten the countersunk hex bolt and the wheel together and gently lock the assembly together so it is taking the weight of the door on the rollers.

13. ADJUSTING THE DOOR HEIGHT

- Use the small spanner supplied to fit between the glass door and the track and onto the axle to hold or turn the offset hub to adjust the height of the door.
- By rotating the spanner and the set screw axle together, the door will lift or lower by up to 1 mm.
- Ensure the vertical door faces line up and are parallel with the return or fixed panels.
- Once the door is set at the desired height to pass over the door guide at the bottom of the door, hold the axle with the spanner and do a final good strong tightening of the countersunk hex head bolt to lock the axle roller wheels into position.

14. FITTING DOOR HANDLE

- Remove the handle from the wrapper, dismantle and re-assemble onto either side of the door. Take care to ensure the plastic bushes are located inside the locator holes and the locking hex screws are tightened so the handle is tight and secure (**FIG 24**).

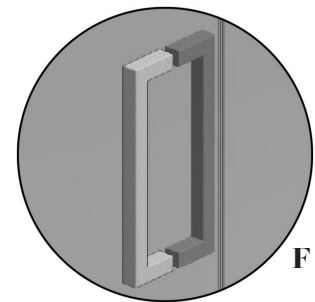


FIG 24.

15. SETTING DOOR STOP BLOCKS

- Carefully move door to the open position (5-1 mm before door handle strikes the glass) and slide along the plastic door stop up against the back wheel. Screw down through the top of the track (**FIG 25**).
- Repeat this for the closed position.
- Add PVC door seal to vertical face of door so the glass does not strike on the return glass panel.
- Check that the door does not strike in any position glass against glass or glass against metal handle.
- Before opening and closing the door too many times, use a damp cloth or similar to clean out any filings, swarf or debris on the inside of the sliding door track where the door rollers will be running. If this is not cleaned, the door or rollers will not run smoothly.

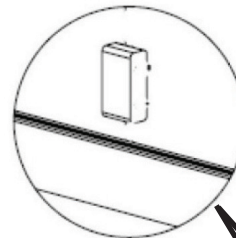
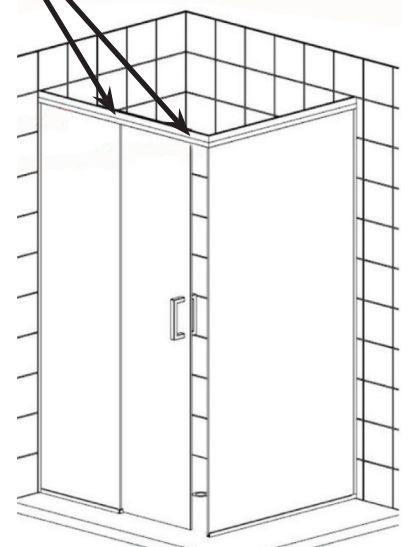


FIG 25.



17 . COMMISSIONING SHOWER

NOTE: Clean glass end ensure no silicone residue remains on glass,channel or surrounding area.

18 . CARE AND MAINTENANCE

You can keep your Serenex shower looking its very best by following a few simple guidelines:

- Clean the shower twice weekly using a mild detergent in warm water and a soft lint free cloth. Ensure channels, hinges and handle are properly cleaned.
- A quick wipe down with a shower squeegee after each use will prohibit water staining the glass.
- Do not use abrasive cleaners or high strength chemicals on your shower.
- On sliding doors, occasionally check the inside of the sliding door channel track and wipe out or remove any debris or items that may have become trapped in the channel.

SERENEX SLIDING DOOR INSTALLATION INSTRUCTIONS

SERENEX WARRANTY

Crest Shower Systems warrants that when installed as per the supplied instructions, the Serenex Shower System will be free from manufacturing defects for a period of 1 years from the date of sale. This means that apart from the typical surface splash, no water will be allowed to leak into the building structure for a minimum of 1 years.

All products supplied by Crest Shower Systems exceed the requirements of the New Zealand Building Code and all glass is manufactured to meet AS/N S22 8 1 6 Grade A Safety Glass and is permanently marked as such in accordance with the code.

Crest Shower Systems will supply replacement parts or product at its discretion, free of charge where product is covered by this warranty and proof of defect has been received within 1 days of first appearance. To ensure warranty remains valid, the supplied care and maintenance instructions must be adhered to and the Crest Warranty form supplied with the product must be complete and returned at time of purchase (hard copy or Online). Warranty is non-transferable.

Crest will be liable for the replacement of products or components including their installation, or for an equivalent product including its installation, should the supplied product or component be declared defective by an authorised Crest Shower Systems representative. Beyond this, Crest will not be liable for any damages including incidental or consequential damages related to the use of this product.

Warranty does not apply to the following situations:

- Shower has been improperly installed.
- Shower has been misused or damaged.
- Shower damaged or defective prior to installation.
- Supplied instructions were not adhered to during installation. Note: Discretion must have been used at all times by installer as each situation may vary.
- Shattering panels as due to the toughening process, cause cannot be determined.

INSTALLATION WARRANTY

Your approved Crest shower installer should provide you with a written 5 year minimum installation workmanship warranty. Product warranty applies regardless of who has installed the shower.

WARNING

This Serenex Shower has just been installed.

PLEASE DO NOT WORK IN OR AROUND THE SHOWER UNTIL



Any queries, feel free to ring me on:



**Best Regards,
Your Shower Installer**

crest
showers

CREST SHOWER SYSTEMS

W: www.crestshowers.co.nz

E: sales@crestshowers.co.nz

P: 0800 40 40 42