

Name: _____ Order Number: _____

Company Name: _____

Choose Finish:



CHROME
(C)



BRUSHED NICKEL
(BN)



GUN METAL
(GM)

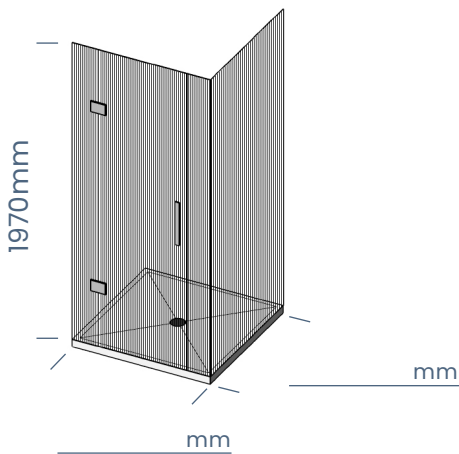


BLACK
(BLK)

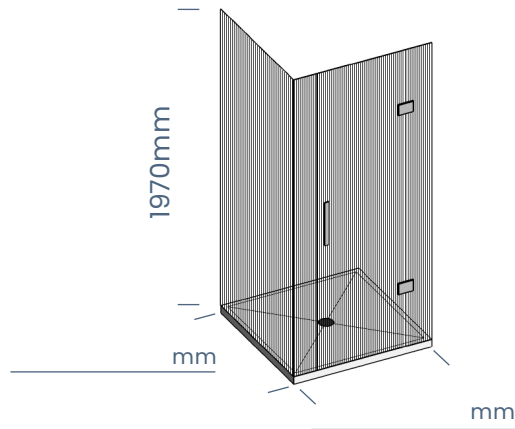


BRUSHED BRASS
(SB)

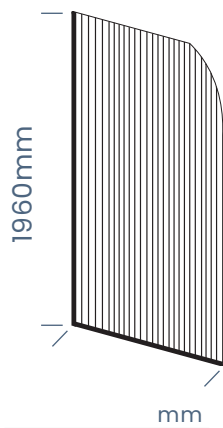
Left Hand



Right Hand



Left Hand



Right Hand

