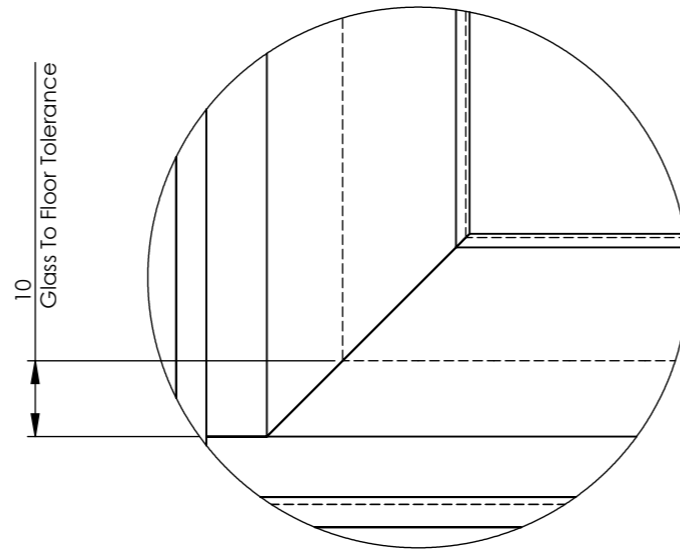
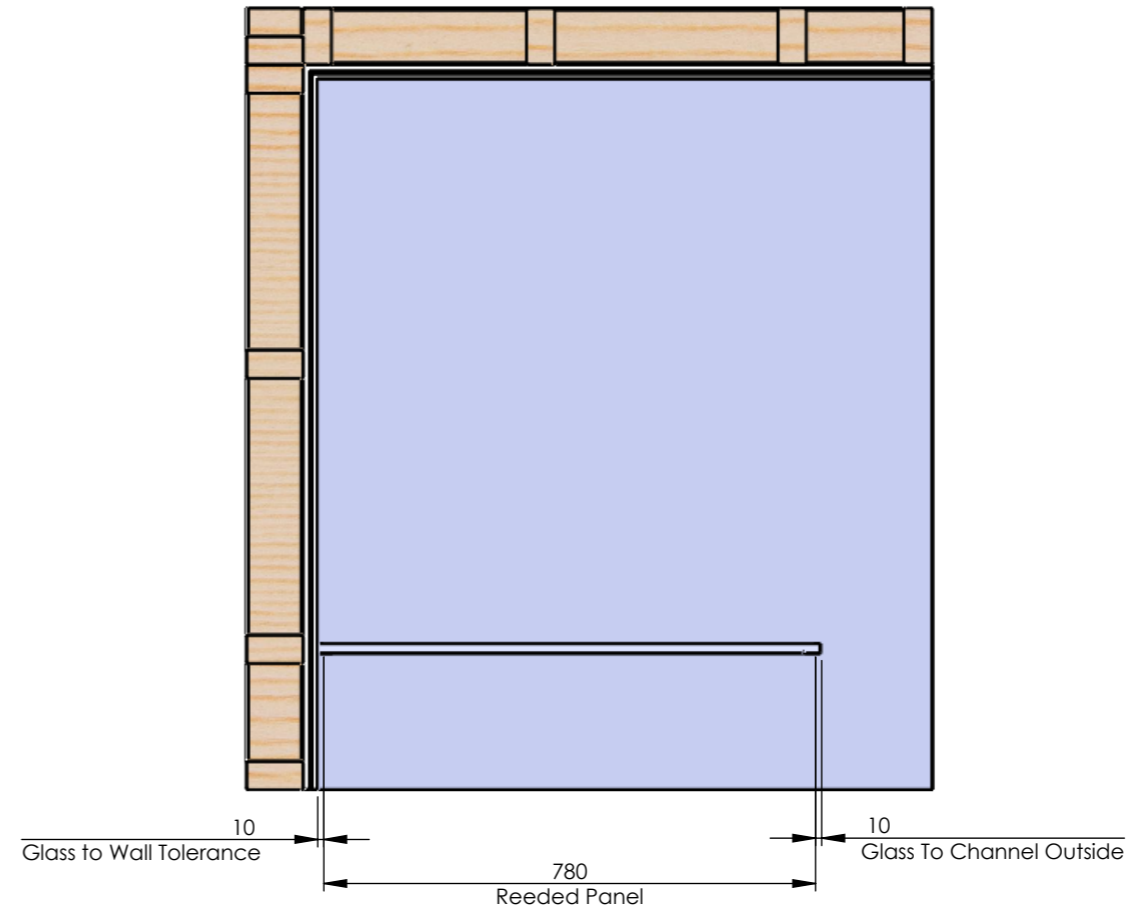
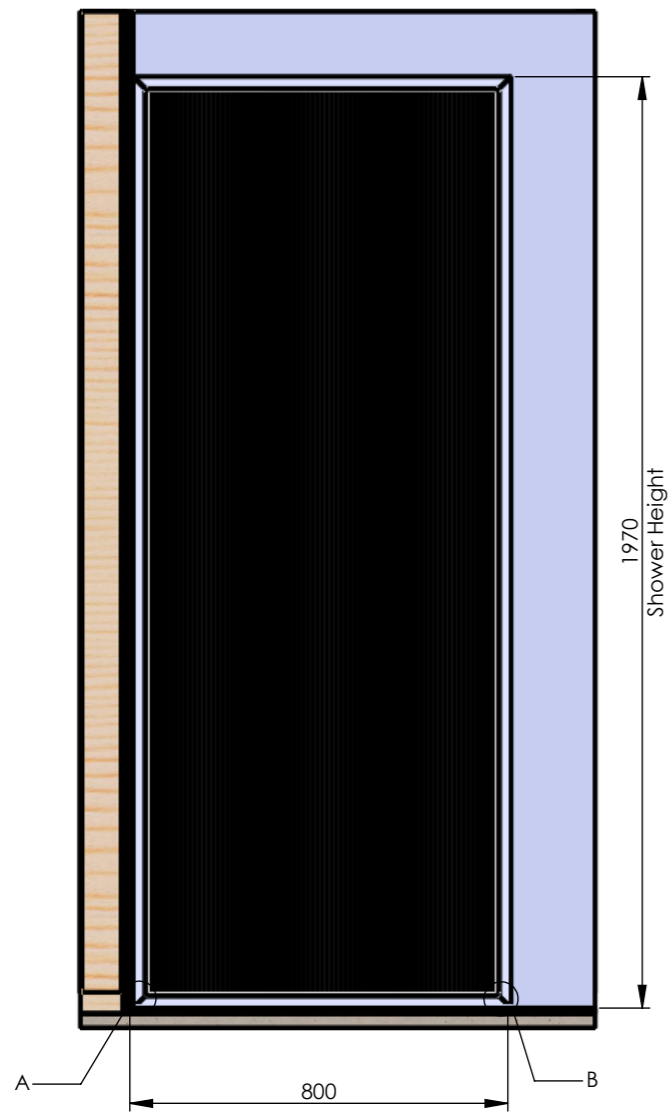
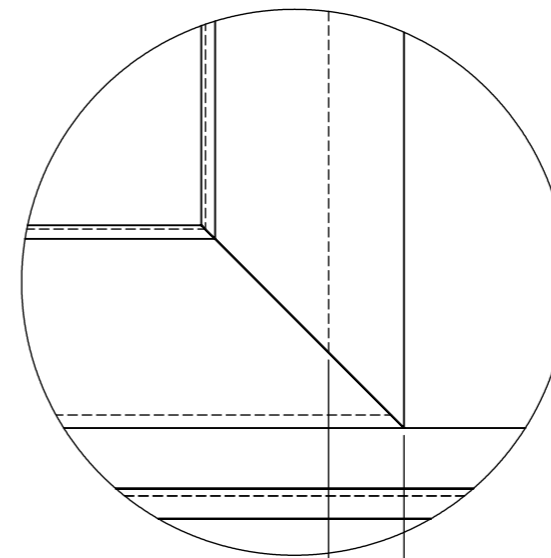


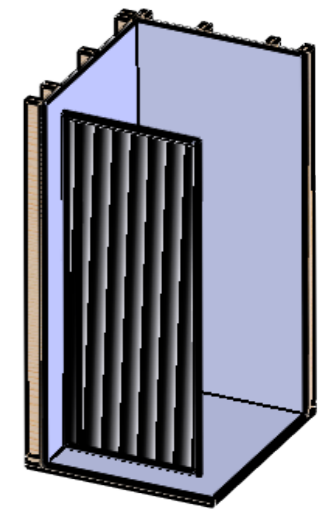
RG800FP



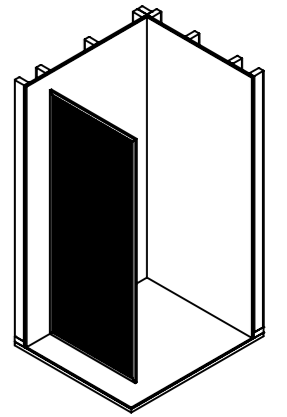
DETAIL A
SCALE 1 : 1



DETAIL B
SCALE 1 : 1



S	BOM NAME	QTY	LENGTH	DESCRIPTION
1	S455-B	1		15 x 25 Black Channel
1.1		2	800	-
1.2		2	1970	-
2	780RP	1		780 x 1950
3	S436-B	1		Glazing Wedge Black
3.1		2	1942.00	
3.2		2	772.00	



Customer Service
0800 40 40 42
sales@crestshowers.co.nz

CLIENT:
PROJECT:
JOB NUMBER:
TITLE:

MODEL CODE: RG800FP
COLOUR:
DATE:
DRAWN:

DO NOT SCALE DRAWING
ALL DIMENSIONS IN MILLIMETER
UNLESS SPECIFIED.
SHEET 1 OF 1