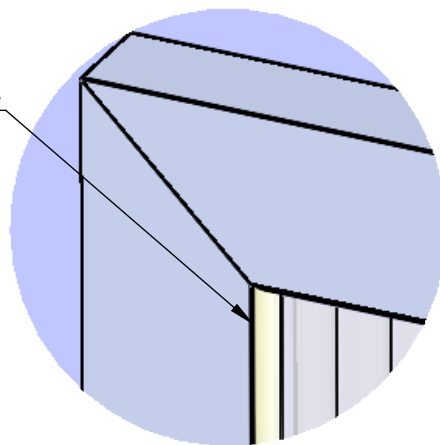
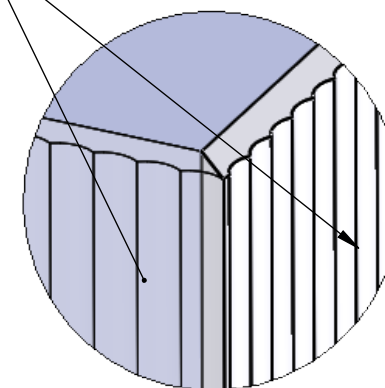


Glazing Wedge



Glass To Wall Tolerance
DETAIL A

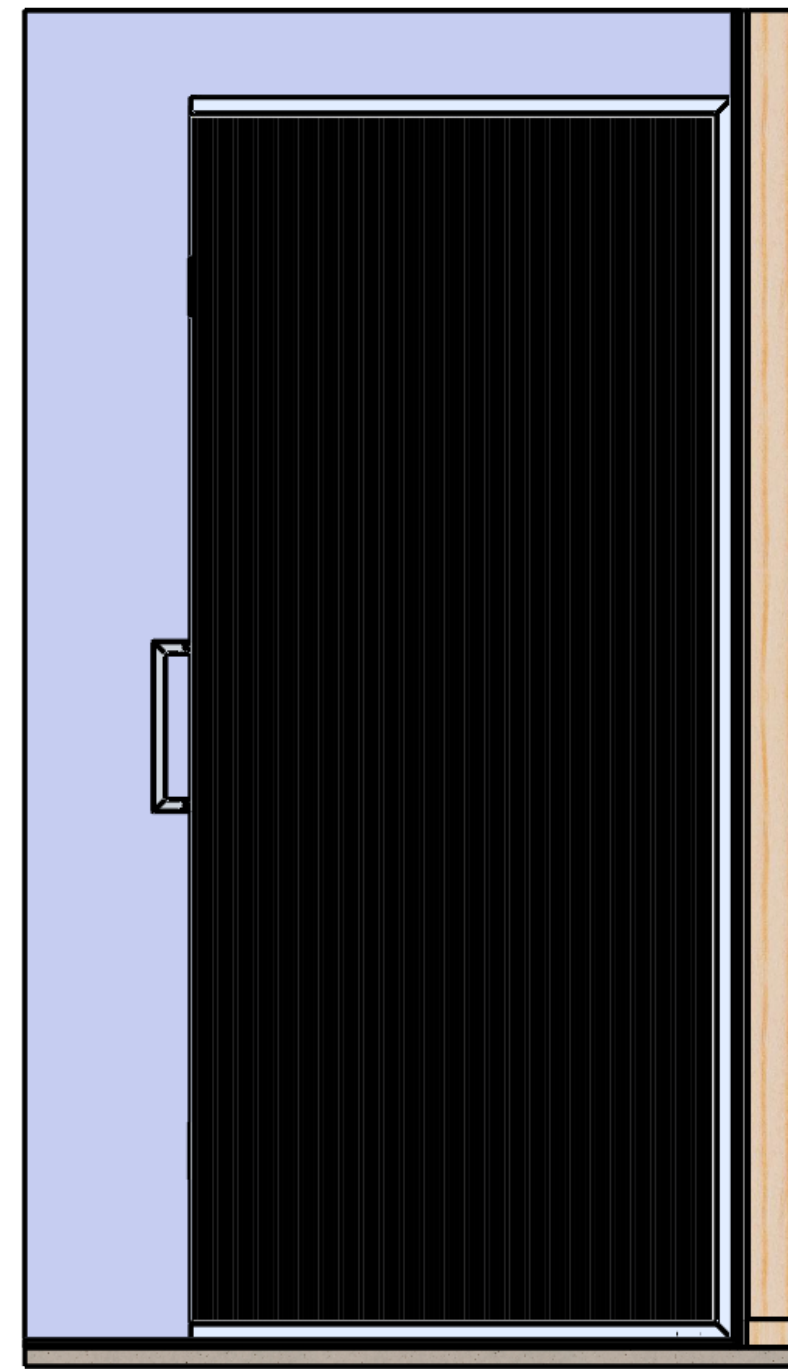
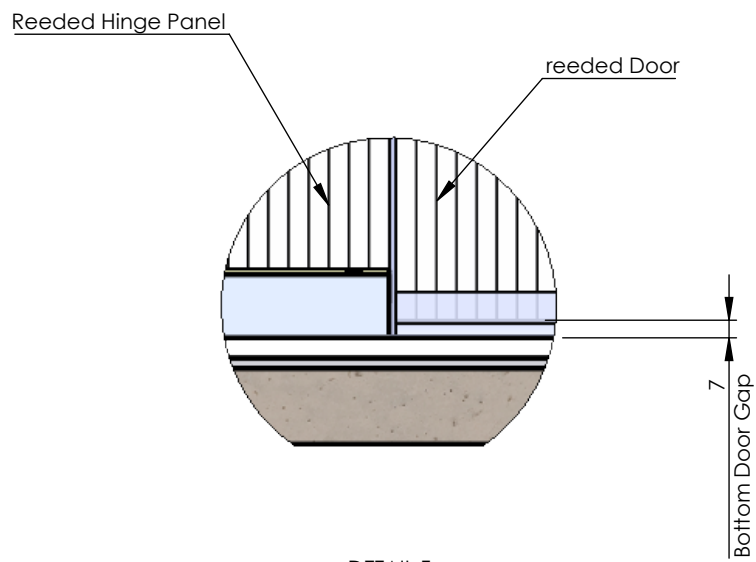
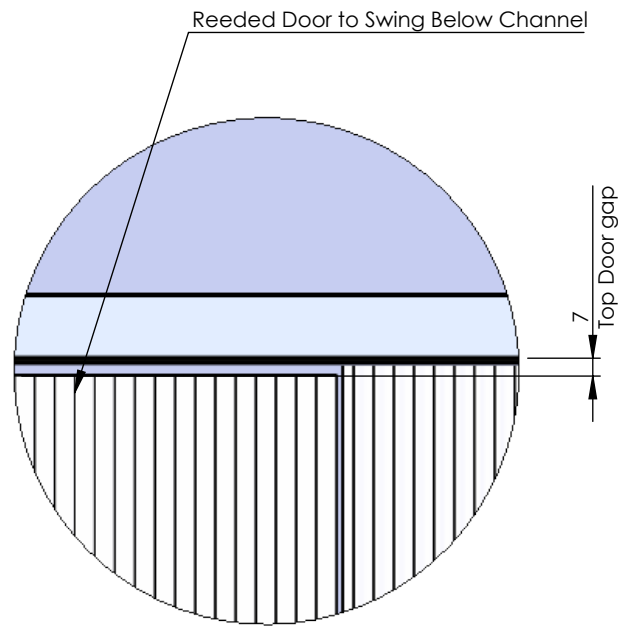
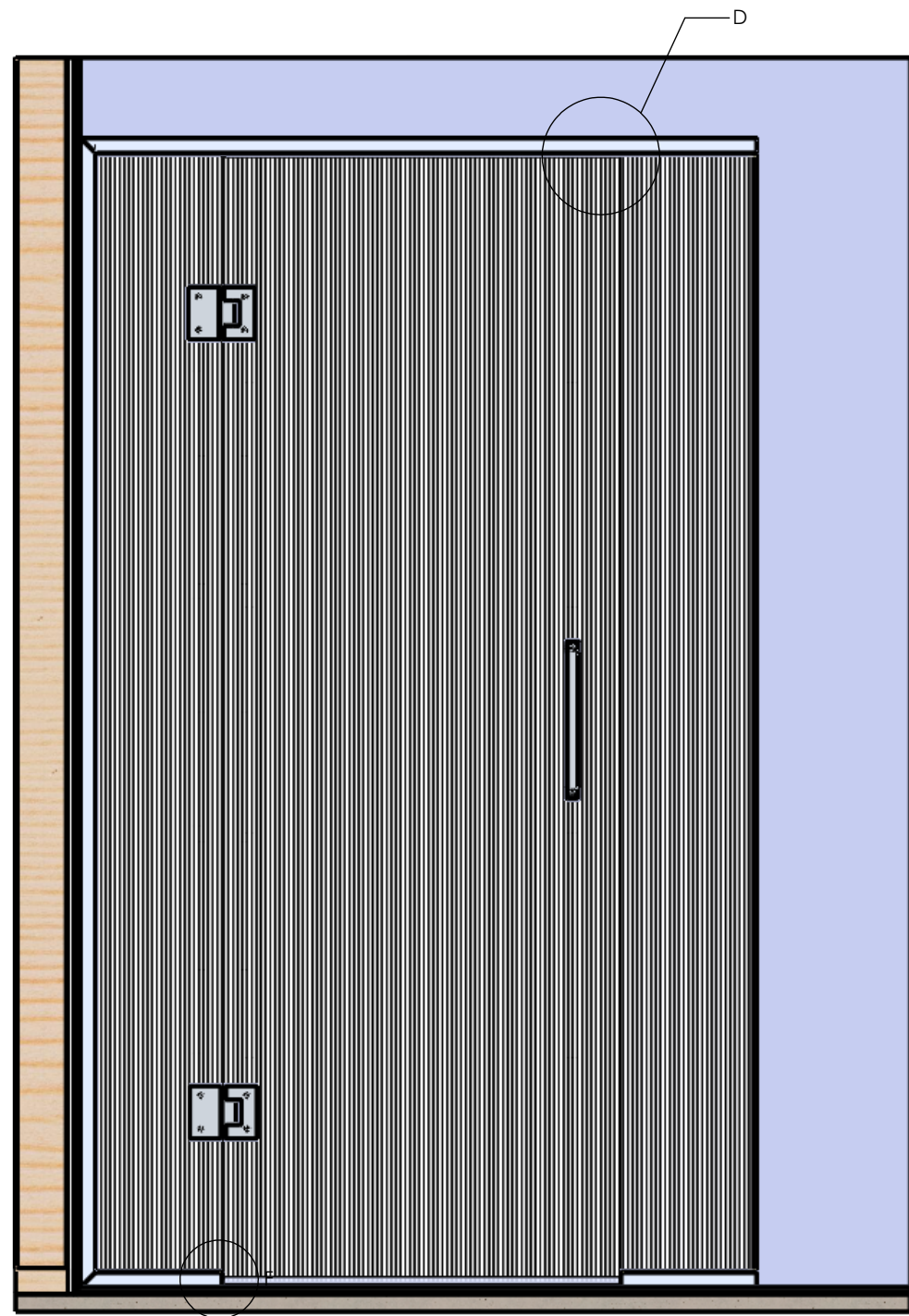
8mm Reeded Panel
Mitred Corner Join



DETAIL B
SCALE 2 : 2.5

I _____ confirm that all dimensions are correct.

Signature: _____



S	BOM NAME	QTY	LENGTH	DESCRIPTION
1	680RDL	1		680 x 1931 Reeded Door LHC
2	235RPC	1		185 x 1950 Reeded Hinged Door
3	228RP	1		228 x 1950 Reeded Panel
4	850RP	1		850 x 1950 Reeded Panel
5	S455-BK	1		15 x 25 Black Top Channel
5.1		1	1162.00	-
5.2		1	862.00	-
6	S455-BK	2	1970.00	S455 - 15 x 25 Black Wall Channel
7	S455-BK	1		15 x 25 Black Floor Channel
7.1		1	243.00	-
7.2		1	233.00	-
7.3		1	862.00	-
8	S180-BK	2		Shower Door hinge 180 degree
9	S418-B	1		Square D handle Black
10	S626	1	680.00	Door to Floor Drip strip seal for 10mm Glass
11	EC4-BK	2		15 x 25 End Cap Black
12	S436-B	1		Glazing wedge Black
12.1		1	1942.00	
12.2		1	229.00	
12.3		1	232.69	
12.4		1	847.69	
12.5		1	1942.00	
12.6		1	847.69	
12.7		1	1136.69	

