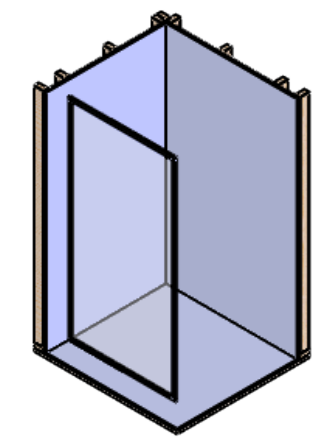
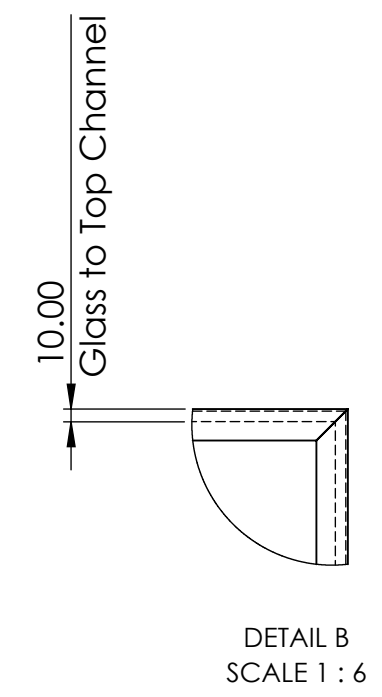
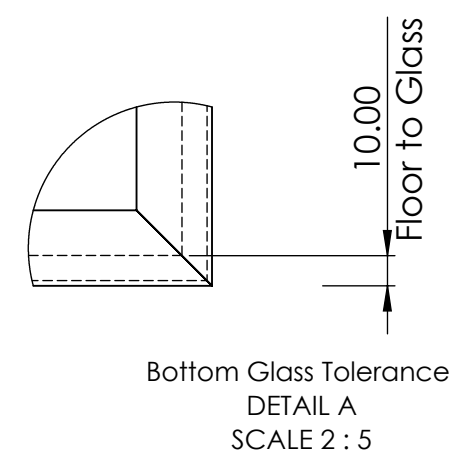
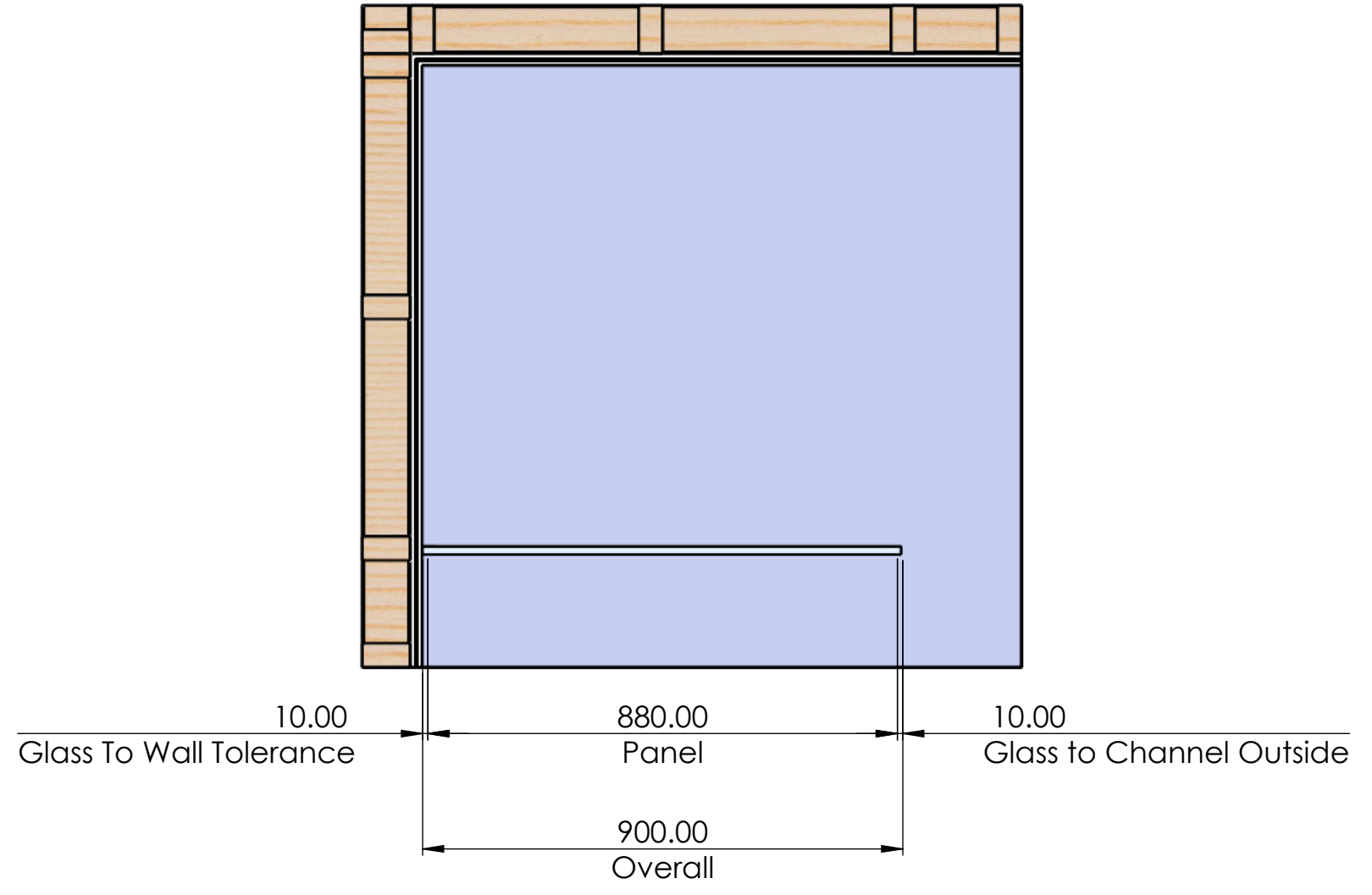
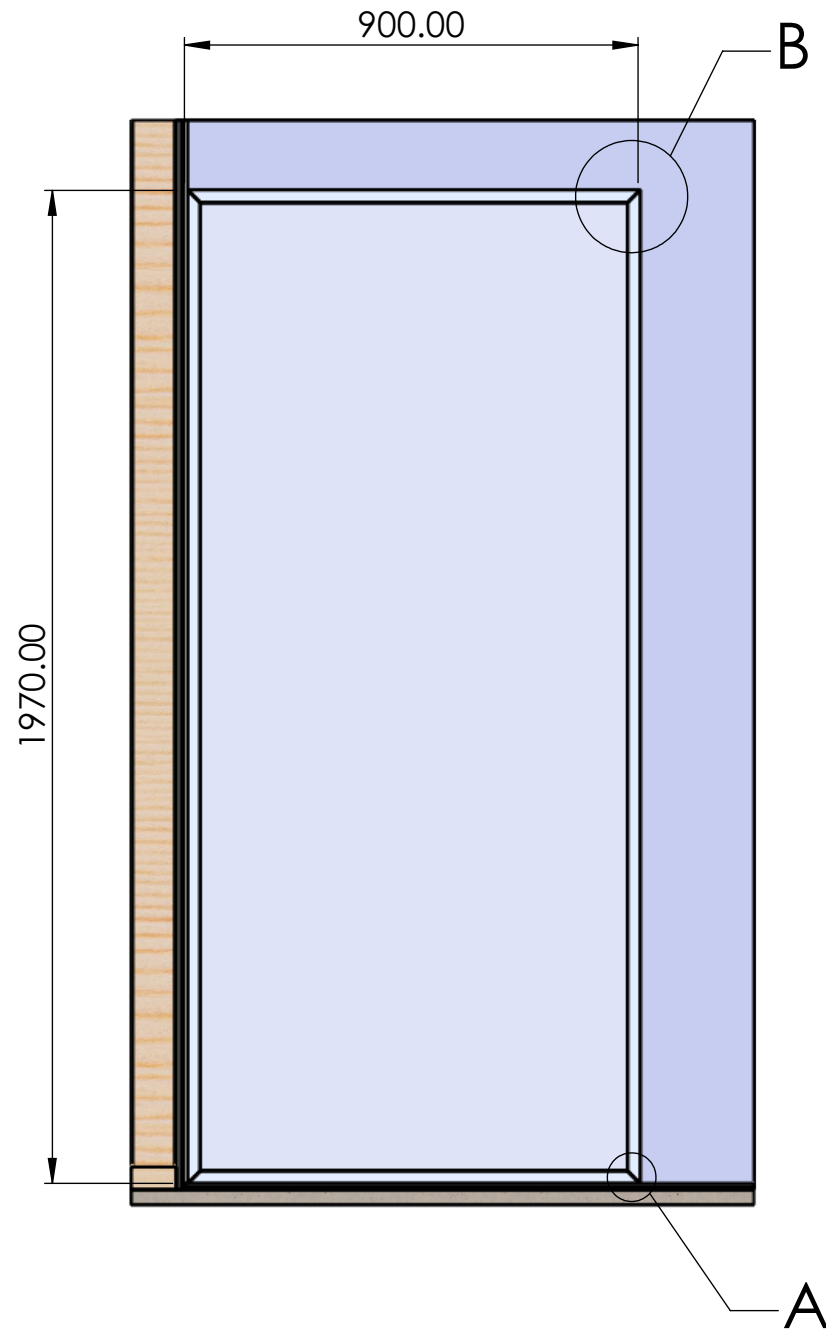
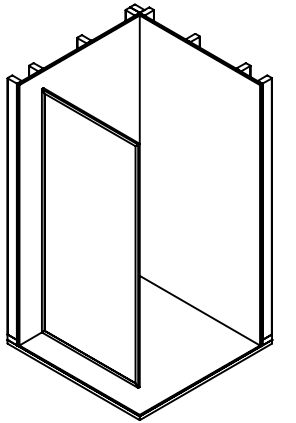


MFP900



S	BOM NAME	QTY	LENGTH	DESCRIPTION
1	880P	1		880 x 1950 Glass panel
2	S455-B	1		15 x 25 Channel Black
2.1		2	900	-
2.2		2	1970	-



Customer Service
0800 40 40 42
sales@crestshowers.co.nz

CLIENT:
PROJECT:
JOB NUMBER:
TITLE:

MODEL CODE:
COLOUR:
DATE:
DRAWN:

DO NOT SCALE DRAWING
ALL DIMENSIONS IN MILLIMETER
UNLESS SPECIFIED.
SHEET 1 OF 1