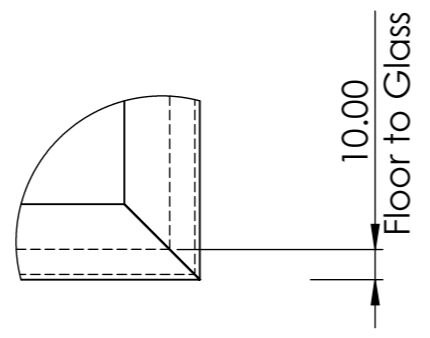
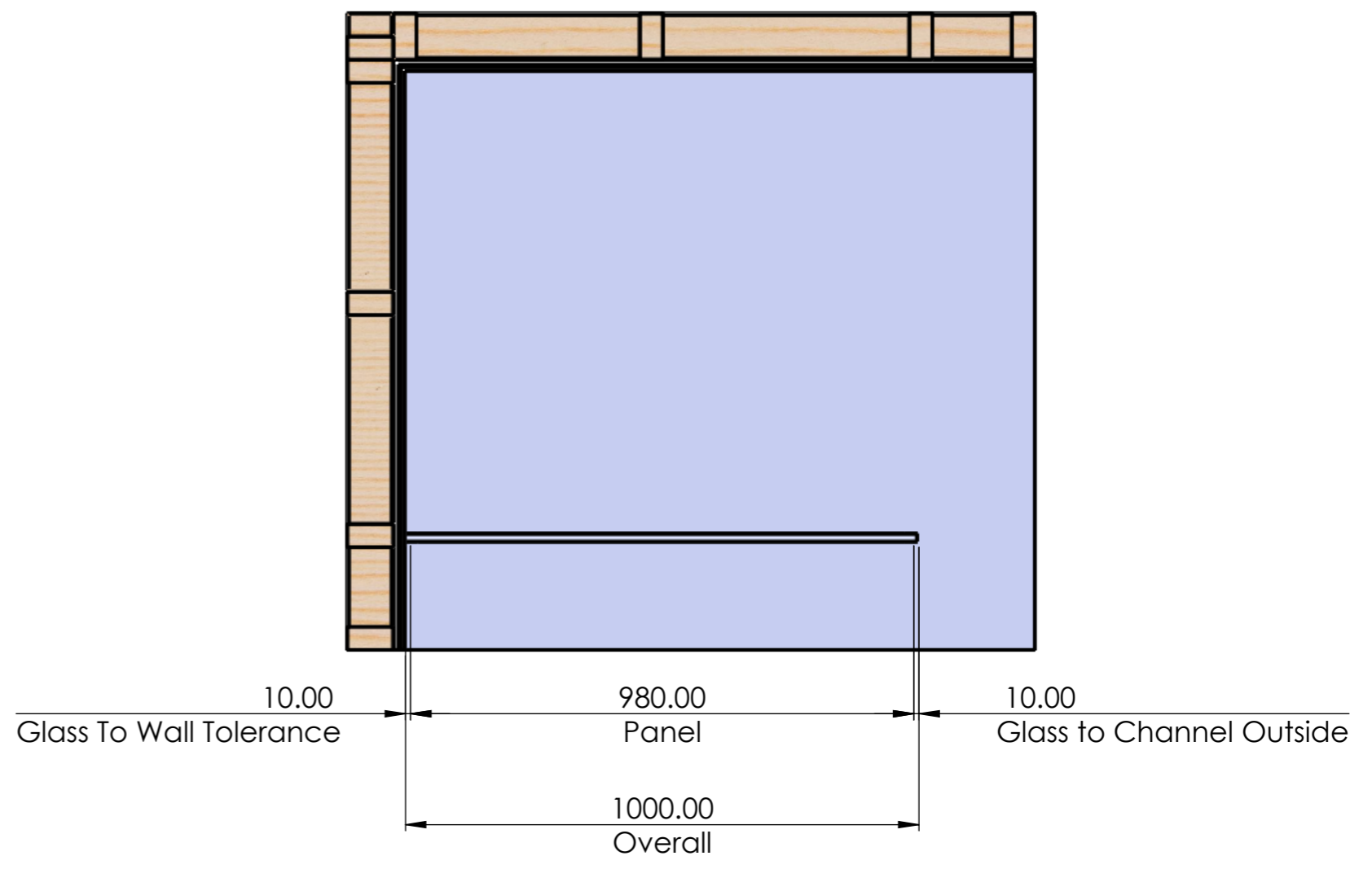
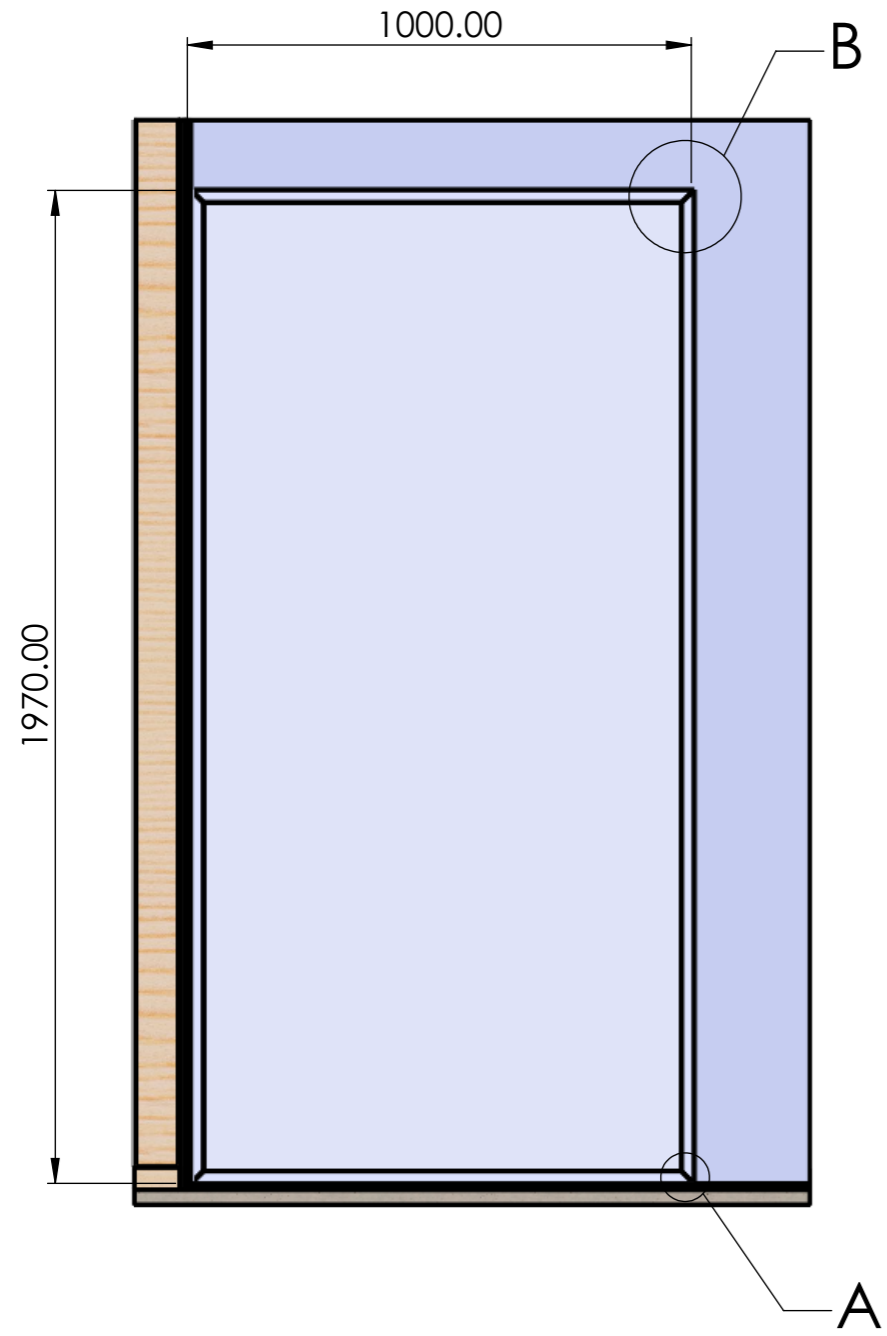
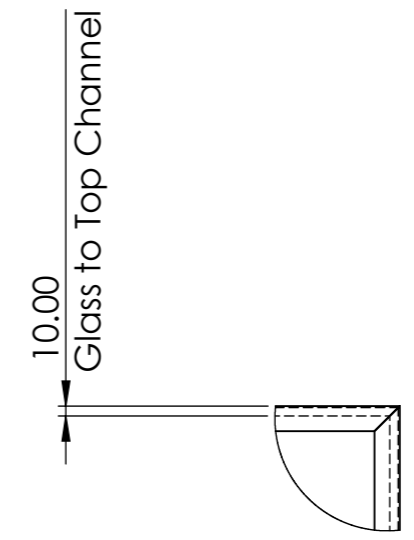


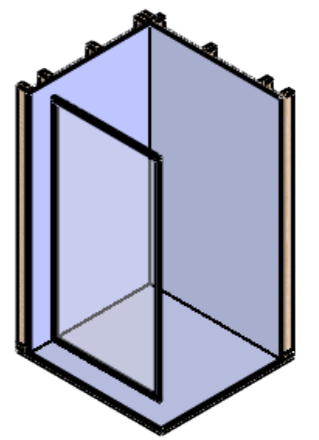
MFP1000



Bottom Glass Tolerance
DETAIL A
SCALE 2 : 5



DETAIL B
SCALE 2 : 15



S	BOM NAME	QTY	LENGTH	DESCRIPTION
1	980P	1		980 x 1950
2	S455-B	1		15 x 25 Channel Black
2.1		2	1000	-
2.2		2	1970	-

