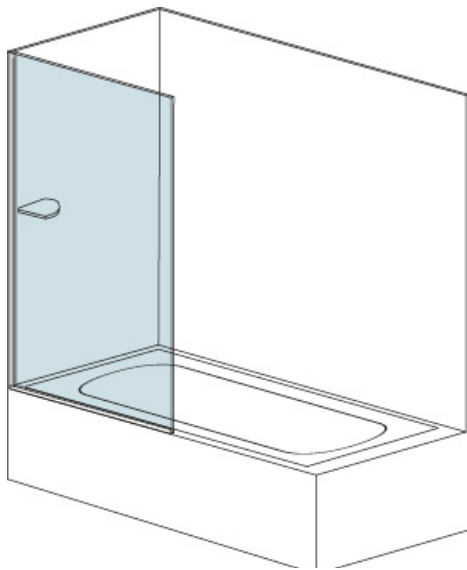
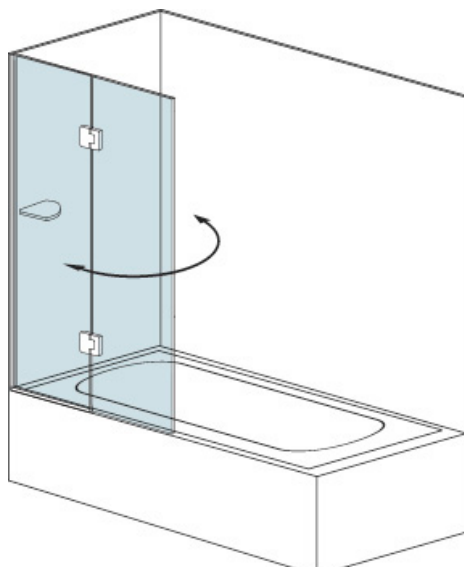


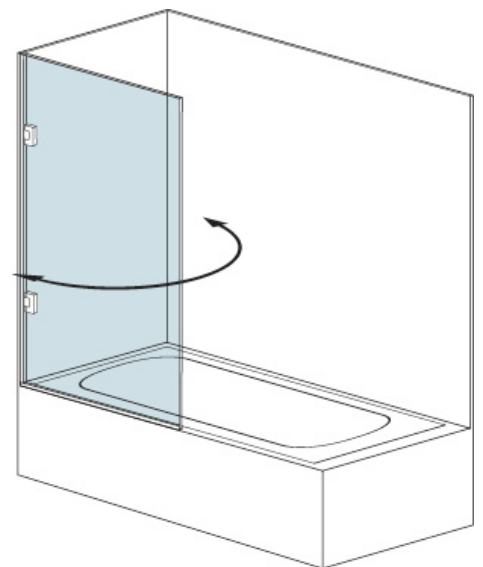
ALTO
BATH SCREEN
INSTALLATION
INSTRUCTIONS



SINGLE FIXED PANEL



FIXED WITH HINGED PANEL



SINGLE HINGED PANEL

ALTO BATH SCREEN INSTALLATION INSTRUCTIONS

NOTE: Read and understand all instructions before installing bath screen.

GENERAL SHOWER INFORMATION

- Due to weight of panels, 2 people may be needed to install bath screen.
- Walls must be plumb to a 5mm tolerance where bath screen is to be installed.
- Bath must be square to wall.

GLASS SAFETY

- Keep glass standing upright.
- Always sit glass on a padded surface i.e. polystyrene.
- Take extra precautions with edges of glass panels.
- If toughened safety glass hits a hard surface or is hit by a hard object, it may shatter or compromise the integrity of the glass.
- It is recommended that safety gloves and glasses are worn during installation.

IMPORTANT INFORMATION

- Please read all instructions and warranty information before beginning installation.
- It is assumed that this instruction is being carried out by qualified trades-people.

ALTO BATH SCREEN / /



PARTS LIST

INCLUDED

1. Glass Panels
2. Channel Extrusion Kits
3. Installation Kit
4. Silicone & Adhesive
5. Hardware (If applicable)

NEEDED

1. Caulking Gun
2. Level
3. Masking Tape
4. Drill
5. Screw Driver
6. Spray Bottle with Soapy Water
7. Paper Towels
8. Tape Measure

ORDER OF BATH SCREEN INSTALLATION

1. Channels
2. Glass

ALTO BATH SCREEN INSTALLATION INSTRUCTIONS

crest
showers

INSTALLATION INSTRUCTIONS

ALTO SINGLE FIXED BATH SCREEN / /

FOR WET SEAL ONLY 25x15mm COLORED CHANNELS:

Glazing wedge is not used. Instead, you now need your caulking gun with desired silicone color; black N60 for black channels, clear N60 for everything else. You will want the nozzle tip as small as possible, and starting at the top of the wall channel on the inside of the shower you need to pump the silicone into the channel and press hard. The process will fill up the void, eliminate visual bubbles and complete the seal. Work your way down the wall channel and along the floor channel. Repeat the process on the other side, then spray with soapy water and tool off excess silicone 100%. Inspect and ensure you have a nice tidy finish.

1. INSTALLING GLAZING CHANNELS

- Use a 2 meter level to check walls are within 5mm of plumb.
- Place bottom channel in position along bath edge, ensuring it is square to wall. Mask the bath top on both sides of the bottom channel (FIG 1).
- Remove plastic from stabiliser blocks and adhere to bath top on either side of channel (FIG 1).
- Position wall channel on top of bottom channel. Mark and drill 3 x 3.5mm holes in wall channel, ensuring this lines up with wall framing. The top hole should be within 100mm of top of channel.
- Remove dust from holes.
- Remove bottom channel and use sand paper supplied to lightly remove the gloss from bath surface to enhance adhesion. (Masking tape ensures that only the area under the channel is sanded).

IMPORTANT

Sanding right through the top layer may jeopardize bath warranty - especially on porcelain or steel baths. SAND LIGHTLY TO REMOVE GLOSS.

- Clean underside of bottom channel and bath surface with a dry rag and run a thick bead of silicone along underside of bottom channel (FIG 2).
- Place bottom channel into position and press firmly (FIG 3). Bottom channel does not require screw fixings. Clean and silicone wall channel as per bottom channel (FIG 2). Inject silicone into and around screw holes (FIG 3). Ensure wall channel is plumb, then screw into place (FIG 4).

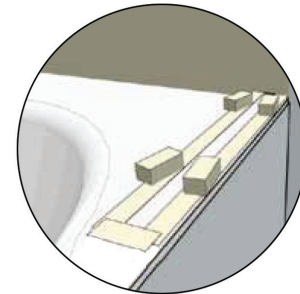
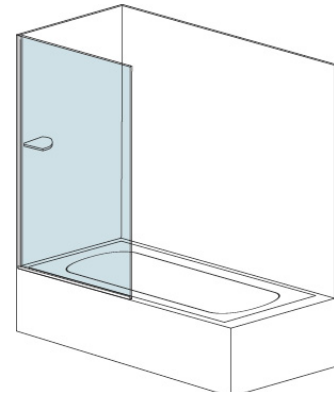


FIG 1.

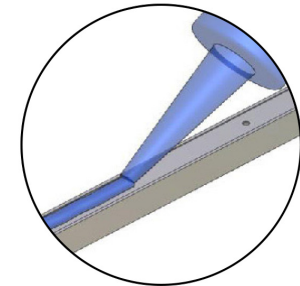


FIG 2.

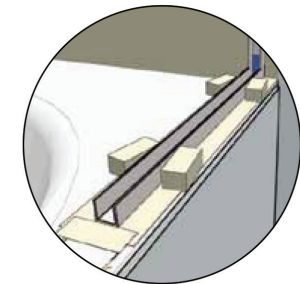


FIG 3.

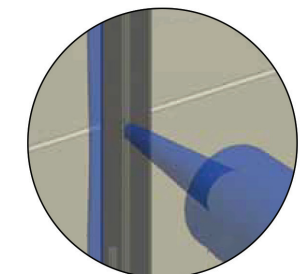


FIG 4.

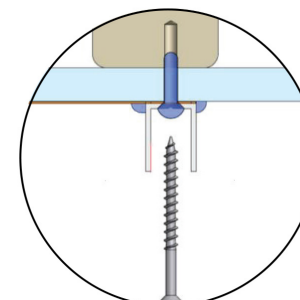


FIG 5.

GLAZING CHANNELS

ALTO BATH SCREEN INSTALLATION INSTRUCTIONS

2. INSTALLING FIXED GLASS PANEL

- Silicone 'wall to floor' junction inside channels and press channel connector firmly into place (FIG 6).
- Place 4mm setting blocks in bottom floor channel - 2 per panel (FIG 6).

IMPORTANT

Glass must always be resting on setting blocks - not straight onto channel.

Note: that the fixed hinged panel is 20mm longer at the bottom than the hinged door. This is in order for the hinge door to be able to swing clear of the bathtop.

ENSURE THE HINGE PANEL IS FITTED THE CORRECT WAY UP!

- Carefully lift panel into channel and temporarily wedge into position from outside bath (FIG 7). Glass should be touching wall on inside of shower. Check panel is level and plumb and add extra setting blocks if necessary to level it.
- When panel is correctly aligned, remove panel and run a thick continuous line of silicone down the inside of the wall channel (FIG 8) and apply liberally in the bottom channel.
- Slide glass panel into position (FIG 9) and use small wedges (FIG 10) or a flat plastering blade to slide glass panel back to inside edge of channel and against silicone.
- Ensure panel is still level and plumb.

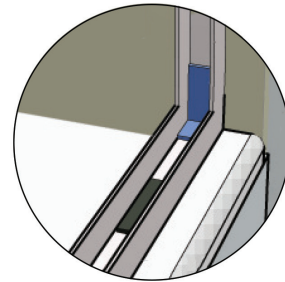


FIG 6.

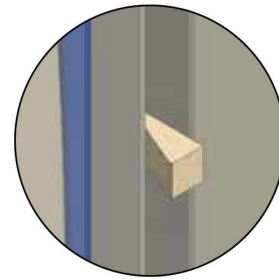


FIG 7.

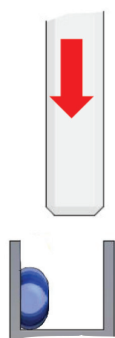


FIG 8.

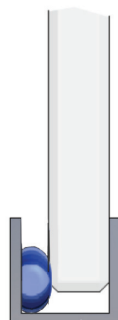


FIG 9.

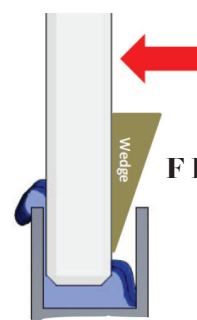


FIG 10.

ALTO BATH SCREEN INSTALLATION INSTRUCTIONS

3. FINISHING GLAZING CHANNEL TO GLASS PANEL JOIN

- Starting at the top of the wall channel, from outside shower, spray with warm soapy water then insert rubber wedge seal into gap (removing timber wedges if used). (FIG 11) Leave rubber wedge protruding 40mm at top to cut off later.

IMPORTANT: Rubber wedge must be pressed into channel lightly from top to bottom before pushing right in. This method ensures rubber wedge does not set stretched and then shrink later.

- Cut off excess rubber wedge then inject silicone.
- Place end cap over end of exposed bottom channel.

IMPORTANT: Lipped edge baths requires gap between lip and channel to be filled with silicone (FIG 12).

- Apply more silicone if necessary. Spray channel/glass with soapy water then use spatula provided to clean off all excess silicone (FIG 13 & 14). Repeat this process 2 or 3 times then wipe off water with paper towels.

IMPORTANT: Always use spatula when finishing silicone joints. Using a bare finger will promote mould growth.

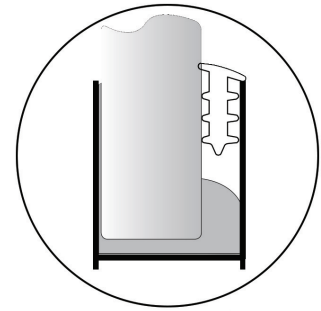


FIG 11.

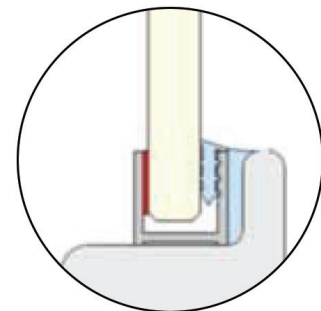


FIG 12.

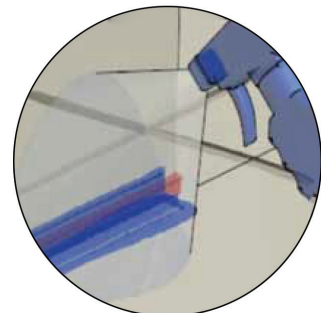


FIG 13.

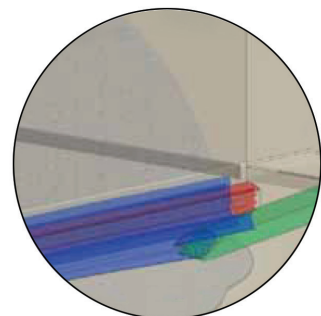


FIG 14.

ALTO BATH SCREEN INSTALLATION INSTRUCTIONS

crest
showers

ALTO FIXED WITH HINGED PANEL BATH SCREEN / /

FOLLOW STEPS 1 TO 3 AS PER SINGLE FIXED PANEL INSTALLATION INSTRUCTIONS.

4. INSTALLING DOOR TO FIXED PANEL

- Fasten hinges to fixed panel and place in closed position. Hex screws should face into bath and pivot point of hinge should be on door panel (FIG 15). Hinges require 1 thin gasket behind each plate to stop glass from contacting hinge metal.
- **IMPORTANT:** Note that if door is installed incorrectly or upside down, door will not have enough clearance to open. Correct orientation can be determined by ensuring top of door is flush with top of hinge panel.
- Place large timber wedges under door. Lift door onto wedges and fasten to hinges. Fully tighten all hex screws but do not over tighten.

IF BATH HAS A -

- Lipped edge of more than 14mm, leave door seal off.
- Lipped edge of less than 12mm, trim door seal fin then install (FIG 16).
- Flat topped edge, install door seal and remove red backing from clear water bar and adhere to bath edge. Move seal down until fin just overlaps waterbar (FIG 17).

NOTE Door seal fin may need to be trimmed down.

- Clean glass and ensure no silicone residue remains on glass, channel or surrounding area.

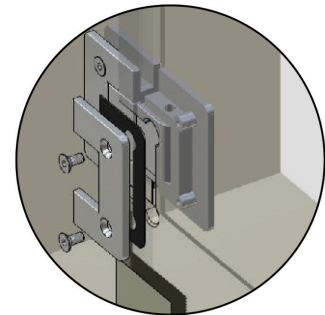
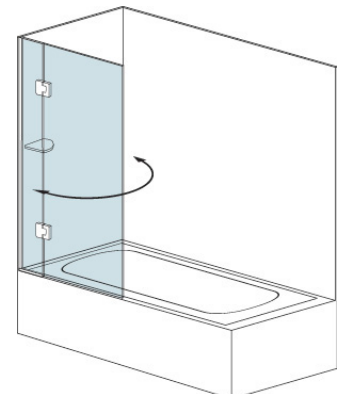


FIG 15.

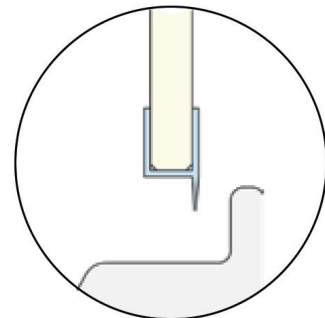


FIG 16.

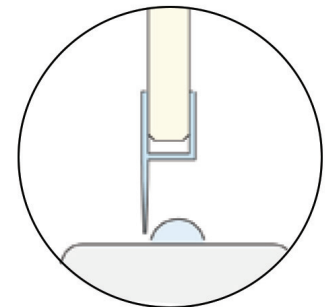


FIG 17.

GLASS TO GLASS HINGE

ALTO BATH SCREEN INSTALLATION INSTRUCTIONS

crest
showers

ALTO SINGLE HINGED PANEL BATH SCREEN / /

5. INSTALLING DOOR TO WALL

- Fasten hinges to door and place in closed position. Hex screws should face into bath and pivot point of hinge should be on door panel (FIG 15). Hinges require 1 thin gasket behind each plate to stop glass from contacting hinge metal.
- Place large timber wedges under door. Lift door onto wedges and use level to ensure door is plumb.
- Use a pencil to mark where the two accessible holes need to be screwed into wall then remove hinges from door and while faceplate is off, mark remaining two hole positions.
- Drill holes, blow out dust and then fill with silicone.
- Screw hinges to wall.
- Lift door back onto wedges and fasten hinges to door and place in closed position. Hex screws should face into bath and pivot point of hinge should be on door panel (FIG 15). Hinges require 1 thin gasket behind each plate to stop glass from contacting hinge metal.
- Fully tighten all hex screws but do not over tighten.

IF BATH HAS A -

- Lipped edge of more than 14mm, leave door seal off.
- Lipped edge of less than 12mm, trim door seal fin then install (FIG 16).
- Flat topped edge, install door seal and remove red backing and adhere clear water bar to bath edge. Move seal down until fin just overlaps waterbar (FIG 17).

NOTE Door seal fin may need to be trimmed down.

- Clean glass and ensure no silicone residue remains on glass, channel or surrounding area.

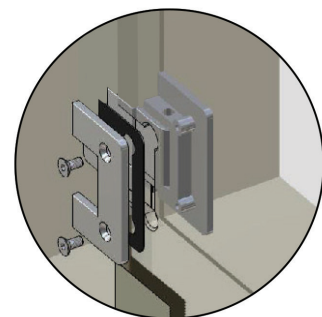
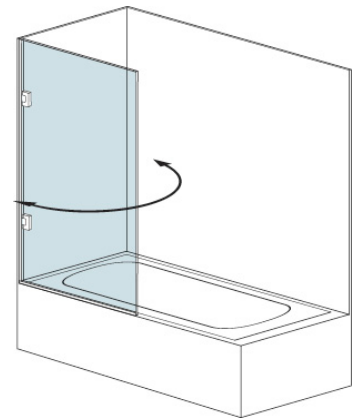


FIG 15.

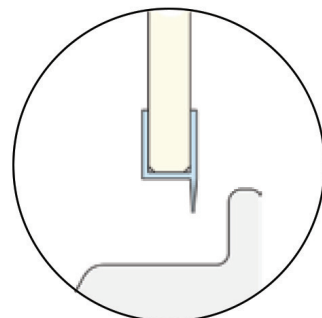


FIG 16.

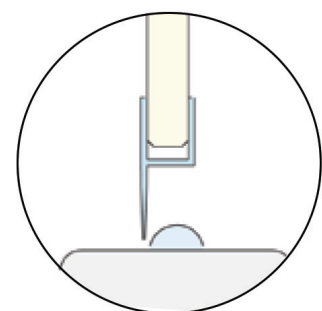


FIG 17.

HINGED PANEL TO WALL

ALTO BATH SCREEN INSTALLATION INSTRUCTIONS

7. COMMISSIONING BATH SCREEN

NOTE: Hinged panel may drop at top up to 1mm as door wedges are removed.

- Remove door wedges from underneath hinged panel.
- Open and close hinged panel a few times and check if the hinges are quiet. If not, open hinged panel half way, loosen hex screws slightly then re-tighten hinges.
- Check if top of hinged panel closes in line with return panel. If not, put packers underneath hinged panel and adjust hinges.
- Check if hinged panel springs closed to line up with fixed panel. If not, adjust hinges. Top and bottom hinges must be treated the same.
- Check if top of hinged panel is level with fixed panel. If not, loosen hex screws slightly, adjust height and re tighten.
- Clean glass end ensure no silicone residue remains on glass, channel or surrounding area.

8. CARE AND MAINTENANCE

- Clean twice weekly using a mild detergent in warm water and a soft lint free cloth. Ensure aluminium channels and hinges are properly cleaned.
- Do not use abraasive cleaners or high strength chemicals on your Alto bath screen.

ALTO BATH SCREEN INSTALLATION INSTRUCTIONS

9. ALTO WARRANTY

All products supplied by Crest Shower Systems exceed the requirements of the New Zealand Building Code and all glass is manufactured to meet AS/NZS2208 1996 Grade A Safety Glass and is permanently marked as such in accordance with the code. Crest Shower Systems warrants that when installed as per the supplied instructions, the Alto Bath Screen will be free from manufacturing defects for a period of 10 years from the date of sale. Crest Shower Systems will supply replacement parts or products at its discretion, free of charge where product is covered by this warranty and proof of defect has been received within 2 months of first appearance. To keep warranty valid, the above care and maintenance instructions must be adhered to and Warranty Form supplied with bath screen is filled out at time of purchase. WARRANTY IS NON-TRANSFERABLE.

Warranty does not apply to the following situations:

- Bath screen has been improperly installed.
- Bath screen has been misused or damaged.
- Bath screen damaged or defective prior to installation.
- Supplied instructions were not adhered to during installation. Note: Discretion must have been used at all times by installer as each situation may vary.

INSTALLATION WARRANTY

Your approved Crest shower installer should provide you with a written 5 year minimum installation workmanship warranty. Product warranty applies regardless of who has installed the bath screen.

WARNING

This Alto Bath Screen has just been installed.

PLEASE DO NOT WORK IN OR AROUND THE BATH SCREEN UNTIL



Any queries feel free to ring me on:



**Best Regards
Your Shower Installer**



CREST SHOWER SYSTEMS

W: www.crestshowers.co.nz

E: sales@crestshowers.co.nz

P: 0800 40 40 42