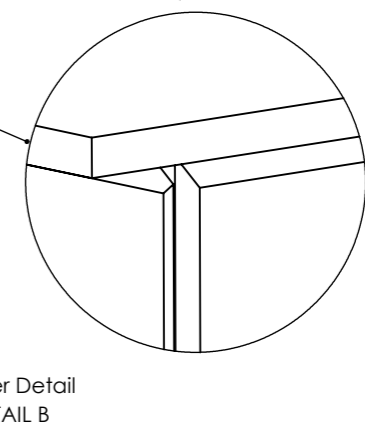
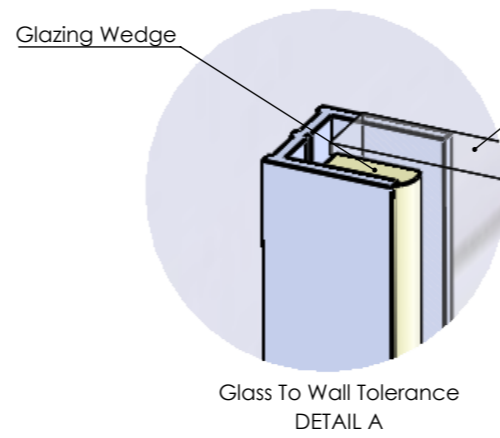
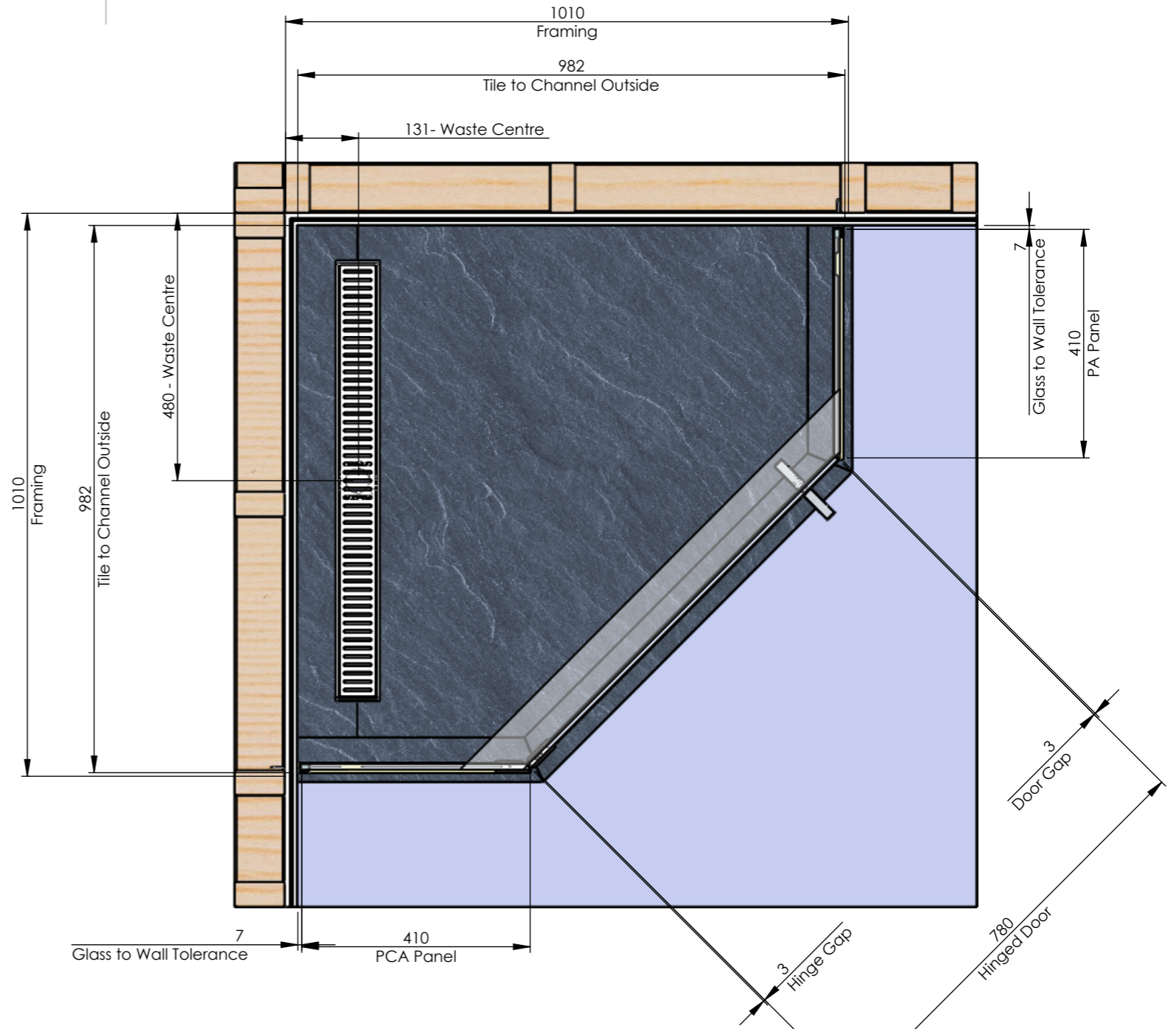
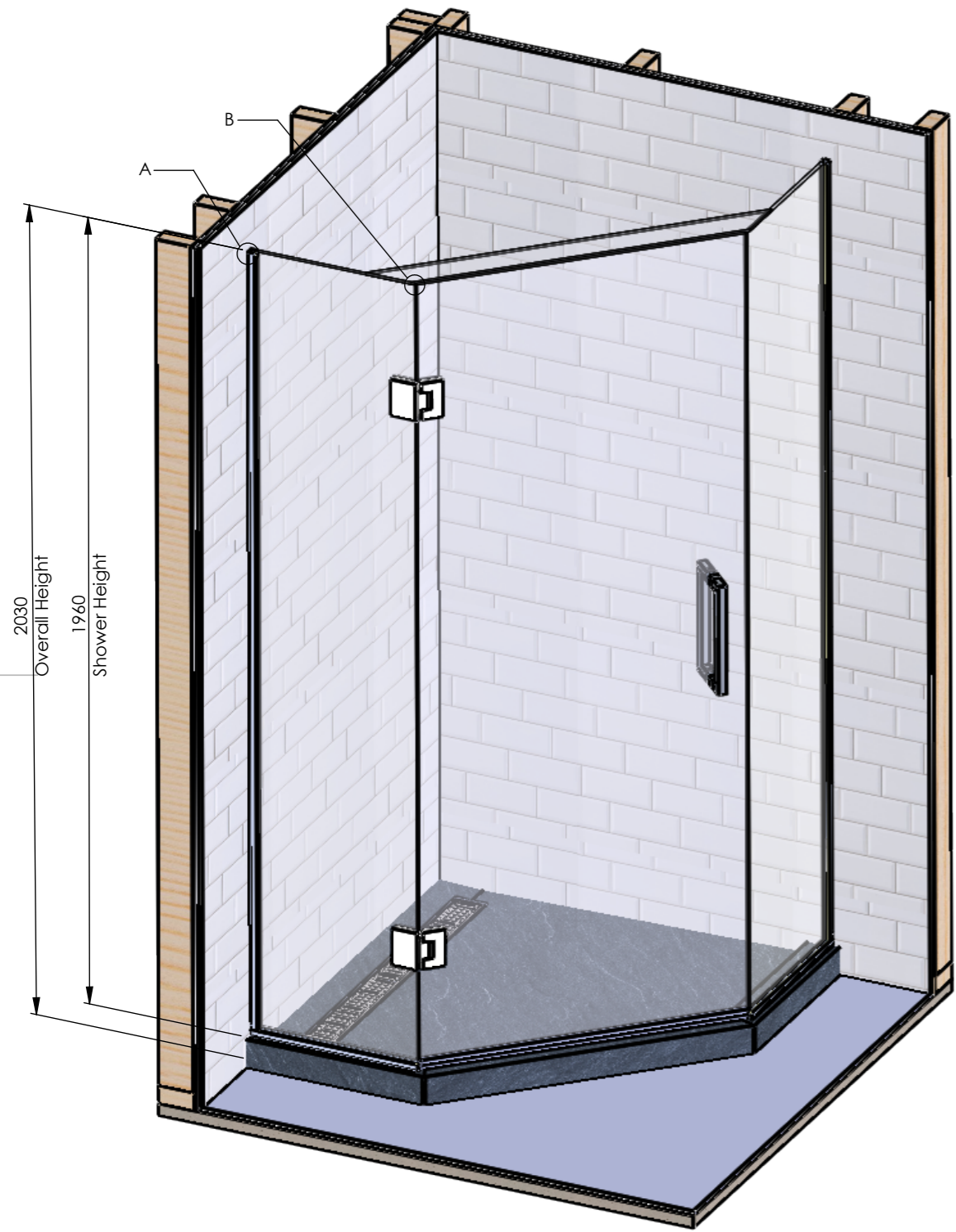



# AN1010CW



S	BOM NAME	QTY	LENGTH	DESCRIPTION
1	410PA	1		410 x 1950 Fixed Panel
2	410 PCA	1		410 x 1950 Hinge Panel
3	780D	1		Shower Door 780W x 1945 with 2 hinge cut outs
4	S445	1		S445 - 18 x 18 Glazing Channel
4.1		1	420.00	
5	S445	1		S445 - 18 x 18 Glazing Channel
5.1		1	420.00	
6	S445 - 1940	2	1940.00	Sereno Glazing Wall Channel 18 x 18mm Precut 1940mm
7	S626	1	780.00	Door to Floor Drip strip seal for 10mm Glass
8	S135	2		Shower Door Hinge 135 Degree
9	S436	1		Glazing Wedge
9.1	S436	1	1951.00	
9.2	S436	1	412.00	
9.3	S436	1	412.00	
9.4	S436	1	1951.00	
10	S418	1		Square D Handle
11	1052	1		805 x 80 x 6 Glass Brace
12	PF080	1		Rectangle Puddle Flange For Channel Waste Drains - 80mm
13	AB21010CHWQL	1		Tile Over Base with Hobs 1000x1000 LH Channel Waste Angle Front Diamond
14	CD780-T	1		780 Tile Insert Channel Drain



	Customer Service	CLIENT:	MODEL CODE: AN1010CW	DO NOT SCALE DRAWING ALL DIMENSIONS IN MILLIMETER UNLESS SPECIFIED. SHEET 1 OF 1
	0800 40 40 42	PROJECT:	COLOUR:	
	sales@crestshowers.co.nz	JOB NUMBER:	DATE:	
		TITLE: Apex Neo 1000 x 1000 Angled Shower Channel Waste	DRAWN:	