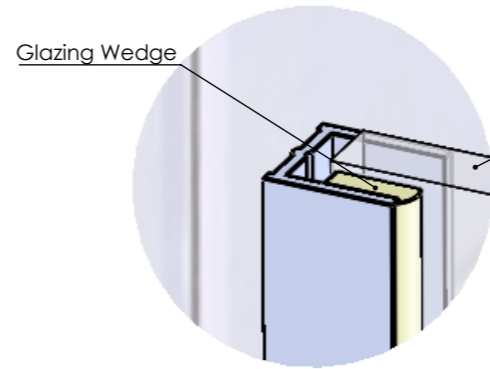
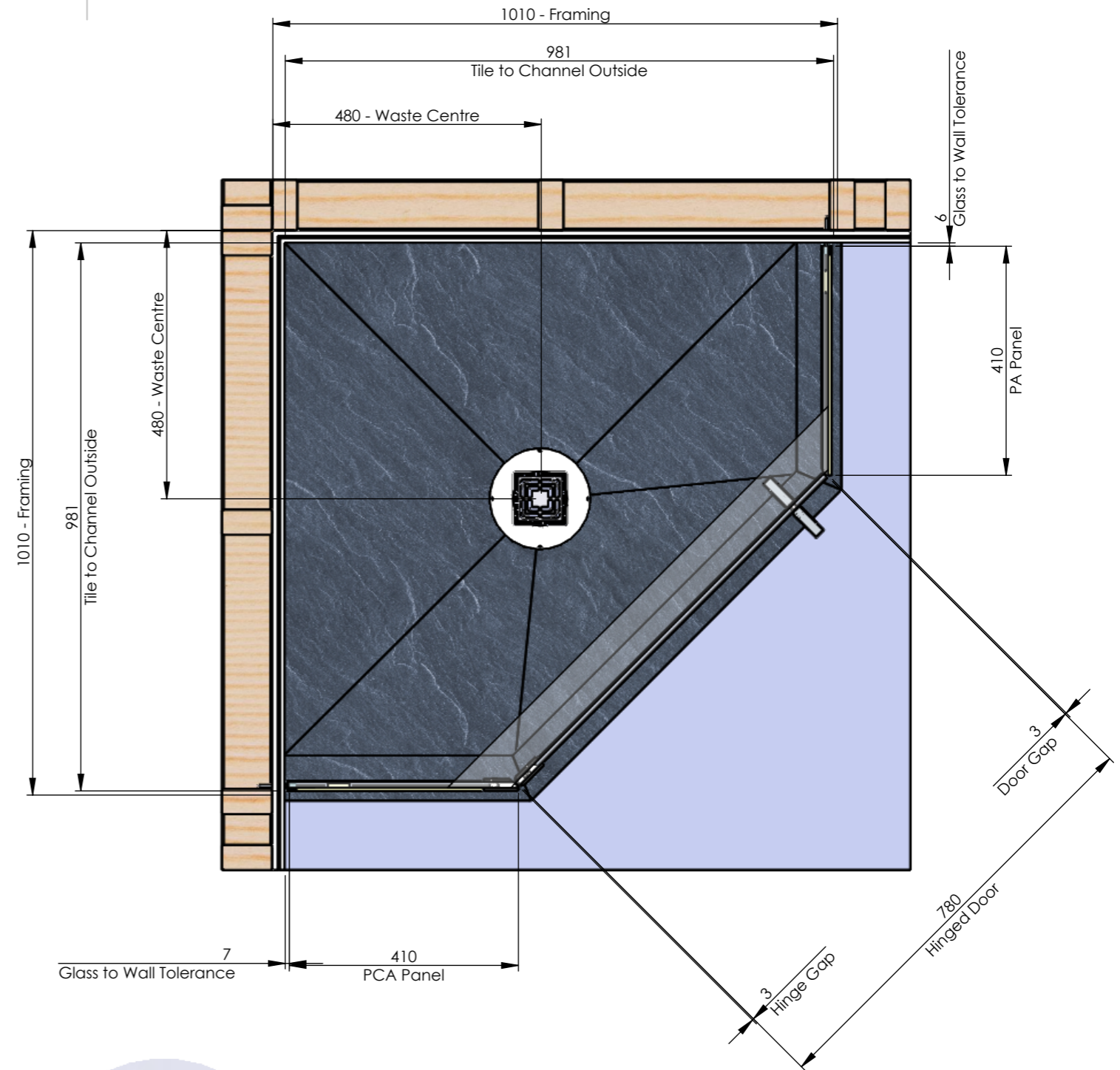
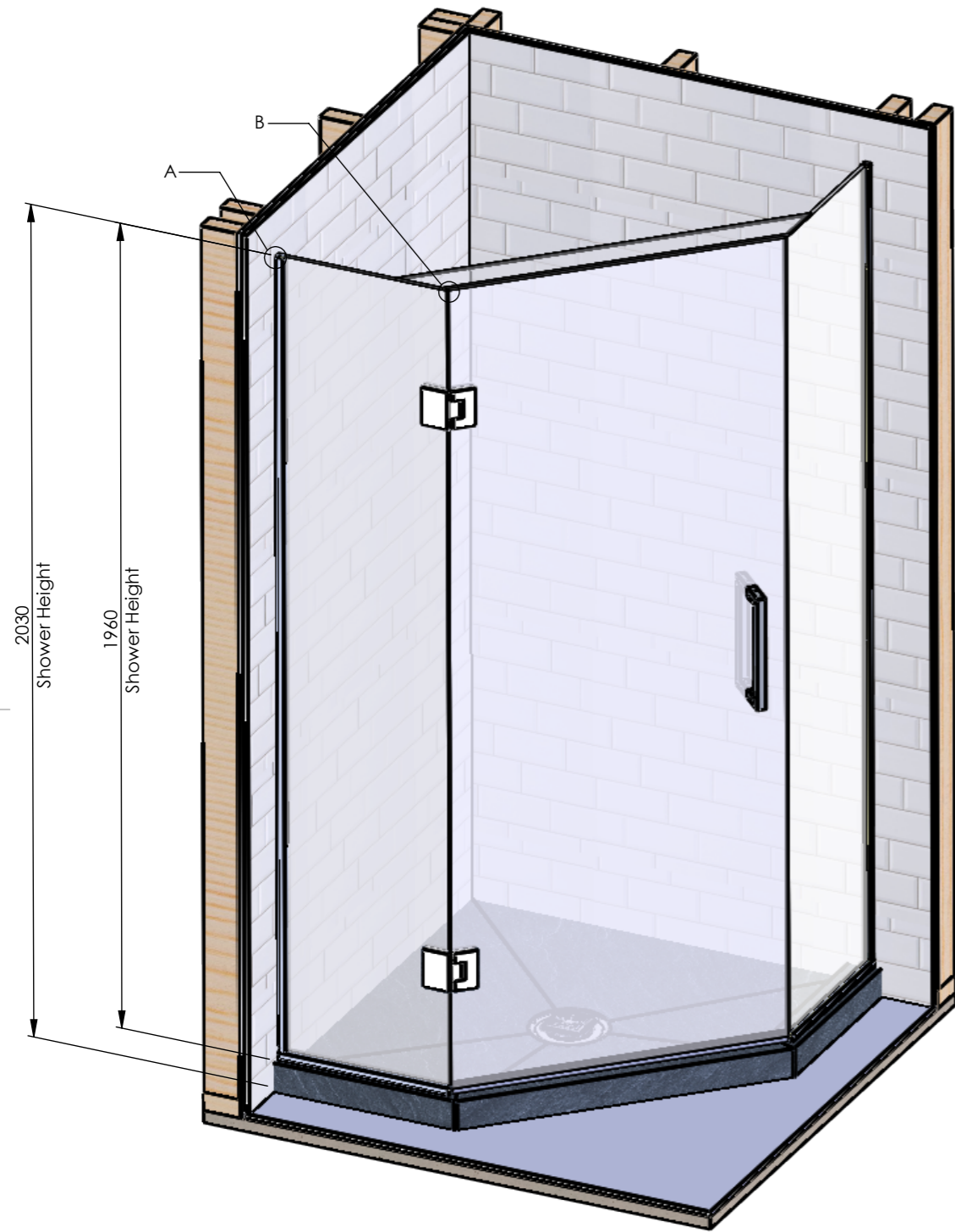
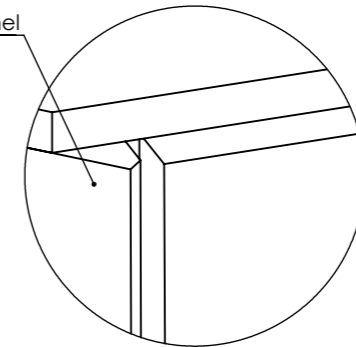


AN1010



Glass To Wall Tolerance
DETAIL A



Corner Detail
DETAIL B

S	BOM NAME	QTY	LENGTH	DESCRIPTION
1	S445	2		S445 - 18 x 18 Glazing Channel
1.1		1	417.00	
1.2		1	416.00	
2	S445 - 1940	2	1940.00	Sereno Glazing Wall Channel 18 x 18mm Precut 1940mm
3	S436	1		Glazing Wedge
3.1	S436	1	1951.00	
3.2	S436	1	409.00	
3.3	S436	1	408.00	
3.4	S436	1	1951.00	
4	780D	1		Shower Door 780W x 1945 with 2 hinge cut outs
5	410PA	1		410 x 1950 Fixed Panel
6	410 PCA	1		410 x 1950 Hinge Panel
7	S135	2		Shower Door Hinge 135 Degree
8	1052	1		805BA Order from Glasslines
9	S626 -780	1	680	Door to Floor Drip strip seal for 10mm Glass
10	AB20909Q	1		Tile Over Base with hobs 900x900 Centre waste angle front diamon shape
11	STS106	1		Easy Clean Waste - Tile Insert Lid
12	S418	1		Square D Handle

