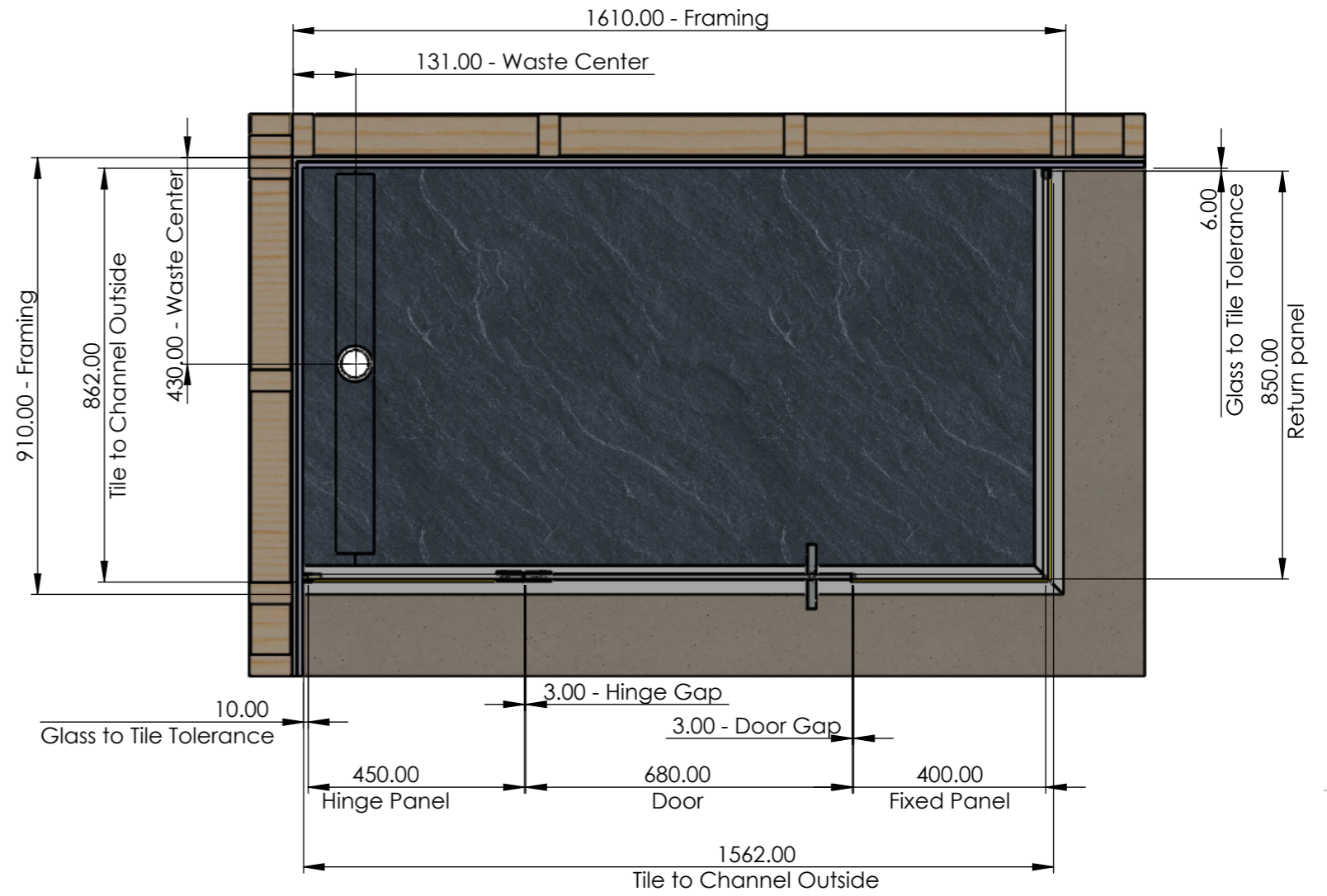
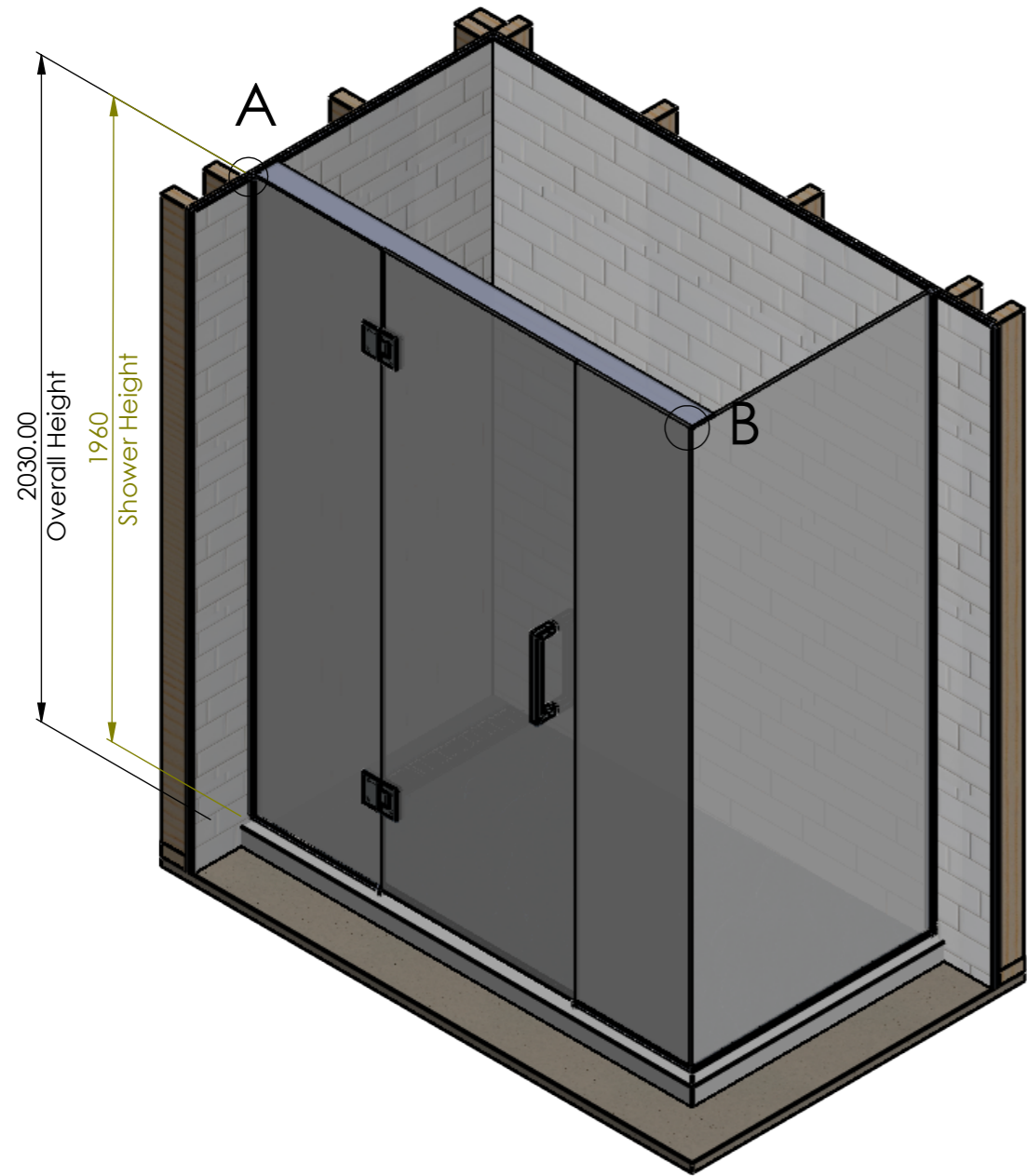


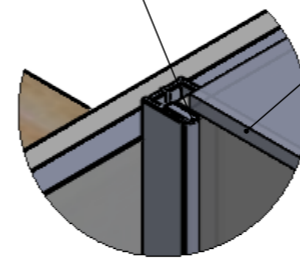
AC1690CW



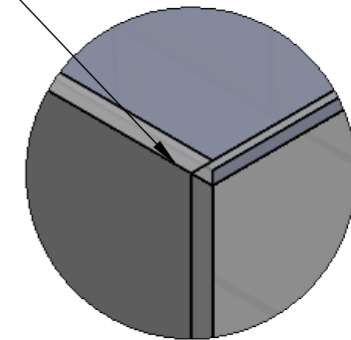
Glazing Wedge

10mm Glass Panel

10 mm Glass Panel



DETAIL A
SCALE 2 : 5



DETAIL B
SCALE 2 : 5

8

7

6

5

4

3

2

1

F

F

E

E

D

D

C

C

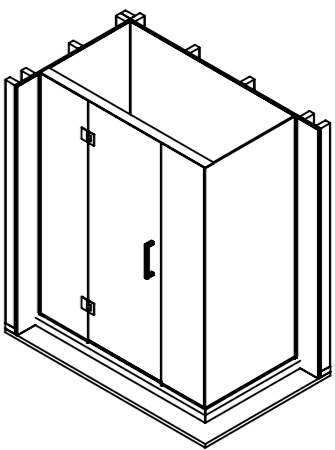
B

B

A

A

S	BOM NAME	QTY	LENGTH	DESCRIPTION
1	AB21609CHW	1		1600 x 900 Channel Waste Base
2	450PC	1		Hinge Panel 450 x 1950
3	400P	1		Panel 400 x 1950
4	680D	1		Shower Door 680W x 1945 with 2 hinge cut outs
5	850P	1		Panel 850 x 1950
6	1540B	1		
7	S180	2		Shower Door hinge 180 degree
8	S418	1		Square D Handle
9	EC2-S	2		End Cap
10	S626	1	680.00	Door to Floor Drip strip seal for 10mm Glass
11	S445	2	1940.00	18 x 18 Wall Channel
12	S445	1		
13	S436	1		Glazing Wedge
13.1	S436	1	452	S436 Glazing Wedge
13.2	S436	1	1951	S436 Glazing Wedge
13.3	S436	1	415.39	S436 Glazing Wedge
13.4	S436	1	853.39	S436 Glazing Wedge
13.5	S436	1	1951	S436 Glazing Wedge
14	CD780-T	1		780 Channel Drain
15	PF080	1		Rectangular Puddle Flange for Channel Waste Drains - 80mm



crest showers
 Customer Service
 0800 40 40 42
 sales@crestshowers.co.nz

CLIENT:
 PROJECT:
 JOB NUMBER:
 TITLE: **Apex Channel Waste 1600 x 900**

MODEL CODE: **AC1690CW**
 COLOUR:
 DATE:
 DRAWN:

DO NOT SCALE DRAWING
 ALL DIMENSIONS IN MILLIMETER
 UNLESS SPECIFIED.
 SHEET 1 OF 1

8

7

6

5

4

3

2

1