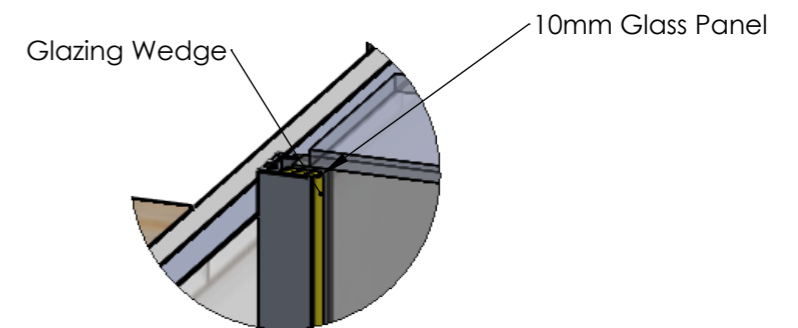
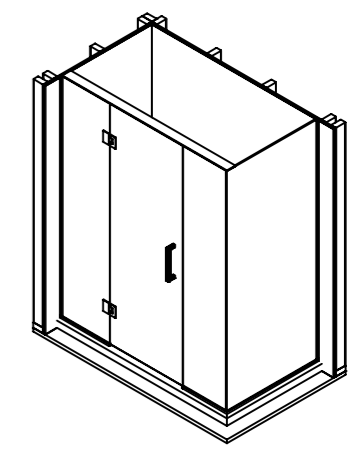



DETAIL A
Overlap
SCALE 2 : 5



DETAIL B
Corner
SCALE 2 : 5

S	BOM NAME	QTY	LENGTH	DESCRIPTION
1	STS106	1		Easy Clean Waste Tile Inert Lid
2	S418	1		Square D Handle
3	S436	1		Glazing Wedge
3.1	S436	1	452	S436 Glazing Wedge
3.2	S436	1	1951	S436 Glazing Wedge
3.3	S436	1	415.39	S436 Glazing Wedge
3.4	S436	1	853.39	S436 Glazing Wedge
3.5	S436	1	1951	S436 Glazing Wedge
4	EC2-S	2		18 x 18 End Cap
5	1540B	1		1540 x 80 x 6 Glass Brace
6	680D	1		Shower Door 680W x 1945 with 2 hinge cut outs
7	850P	1		Panel 850 x 1950
8	400P	1		Panel 400 x 1950
9	450PC	1		Hinge Panel 450 x 1950
10	S445	2	1940.00	18 x 18 Wall Channel
11		1		
11.1	S445	1	460	S445 Sereno Glazing Channel 18 x 18mm
11.2	S445	1	416	S445 Sereno Glazing Channel 18 x 18mm
11.3	S445	1	862	S445 Sereno Glazing Channel 18 x 18mm
12	S180	2		Shower Door hinge 180 degree
13	S626-680	1	680	680 Drip Seal



	Customer Service 0800 40 40 42 sales@crestshowers.co.nz	CLIENT:	MODEL CODE: AC1690	DO NOT SCALE DRAWING ALL DIMENSIONS IN MILLIMETER UNLESS SPECIFIED. SHEET 1 OF 1
		PROJECT:	COLOUR:	
		JOB NUMBER:	DATE:	
		TITLE:	DRAWN:	