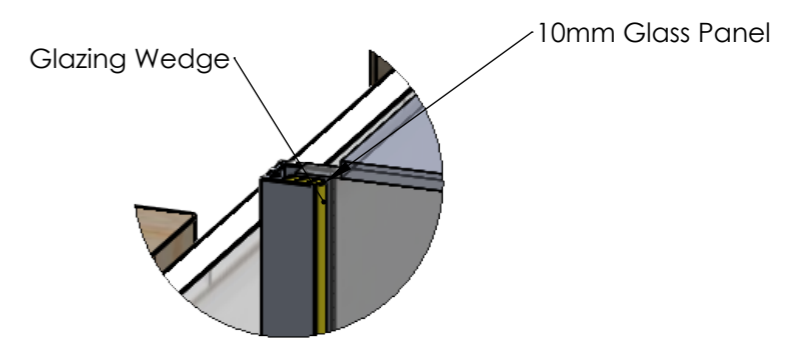


DETAIL A  
Overlap  
SCALE 2 : 5



DETAIL B  
Corner  
SCALE 2 : 5



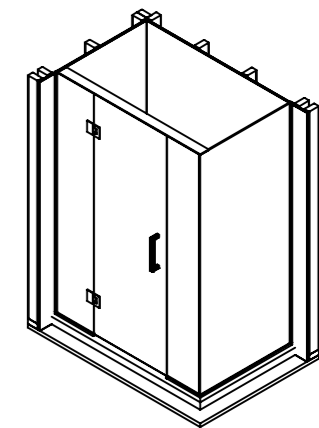
**Customer Service**  
0800 40 40 42  
sales@crestshowers.co.nz


**CLIENT:**  
**PROJECT:**  
**JOB NUMBER:**  
**TITLE: Apex Shower - Hinged Door- 1400 x 900- Corner- Centre Waste**

**MODEL CODE:** AC1490  
**COLOUR:**  
**DATE:**  
**DRAWN:**

**DO NOT SCALE DRAWING**  
**ALL DIMENSIONS IN MILLIMETER**  
**UNLESS SPECIFIED.**  
**SHEET 1 OF 1**

S	BOM NAME	QTY	LENGTH	DESCRIPTION
1	STS106	1		Easy Clean Waste Tile Inert Lid
2	S418	1		Square D Handle
3	S436	1		Glazing Wedge
3.1	S436	1	352	S436 Glazing Wedge
3.2	S436	1	1951	S436 Glazing Wedge
3.3	S436	1	315.39	S436 Glazing Wedge
3.4	S436	1	853.39	S436 Glazing Wedge
3.5	S436	1	1951	S436 Glazing Wedge
4	EC2-S	2		18 x 18 End Cap
5	1330B	1		1330 x 80 x 6 Glass Brace
6	680D	1		Shower Door 680W x 1945 with 2 hinge cut outs
7	850P	1		Panel 850 x 1950
8	300P	1		Panel 300 x 1950
9	350PC	1		Hinge Panel 350 x 1950
10	S445	2	1940.00	18 x 18 Wall Channel
11	S445	1		
11.1	S445	1	360	S445 Sereno Glazing Channel 18 x 18mm
11.2	S445	1	316	S445 Sereno Glazing Channel 18 x 18mm
11.3	S445	1	862	S445 Sereno Glazing Channel 18 x 18mm
12	S180	2		Shower Door hinge 180 degree
13	S626-680	1	680	Drip Seal



	<b>Customer Service</b> 0800 40 40 42 sales@crestshowers.co.nz	<b>CLIENT:</b>	<b>MODEL CODE:</b> AC1490	<b>DO NOT SCALE DRAWING</b> <b>ALL DIMENSIONS IN MILLIMETER</b> <b>UNLESS SPECIFIED.</b> <b>SHEET 1 OF 1</b>
		<b>PROJECT:</b>	<b>COLOUR:</b>	
		<b>JOB NUMBER:</b>	<b>DATE:</b>	
		<b>TITLE:</b>	<b>DRAWN:</b>	