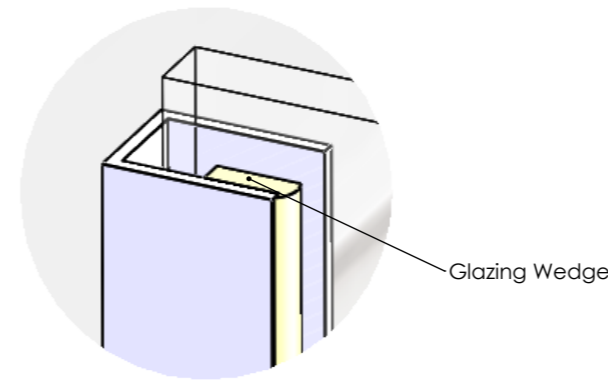
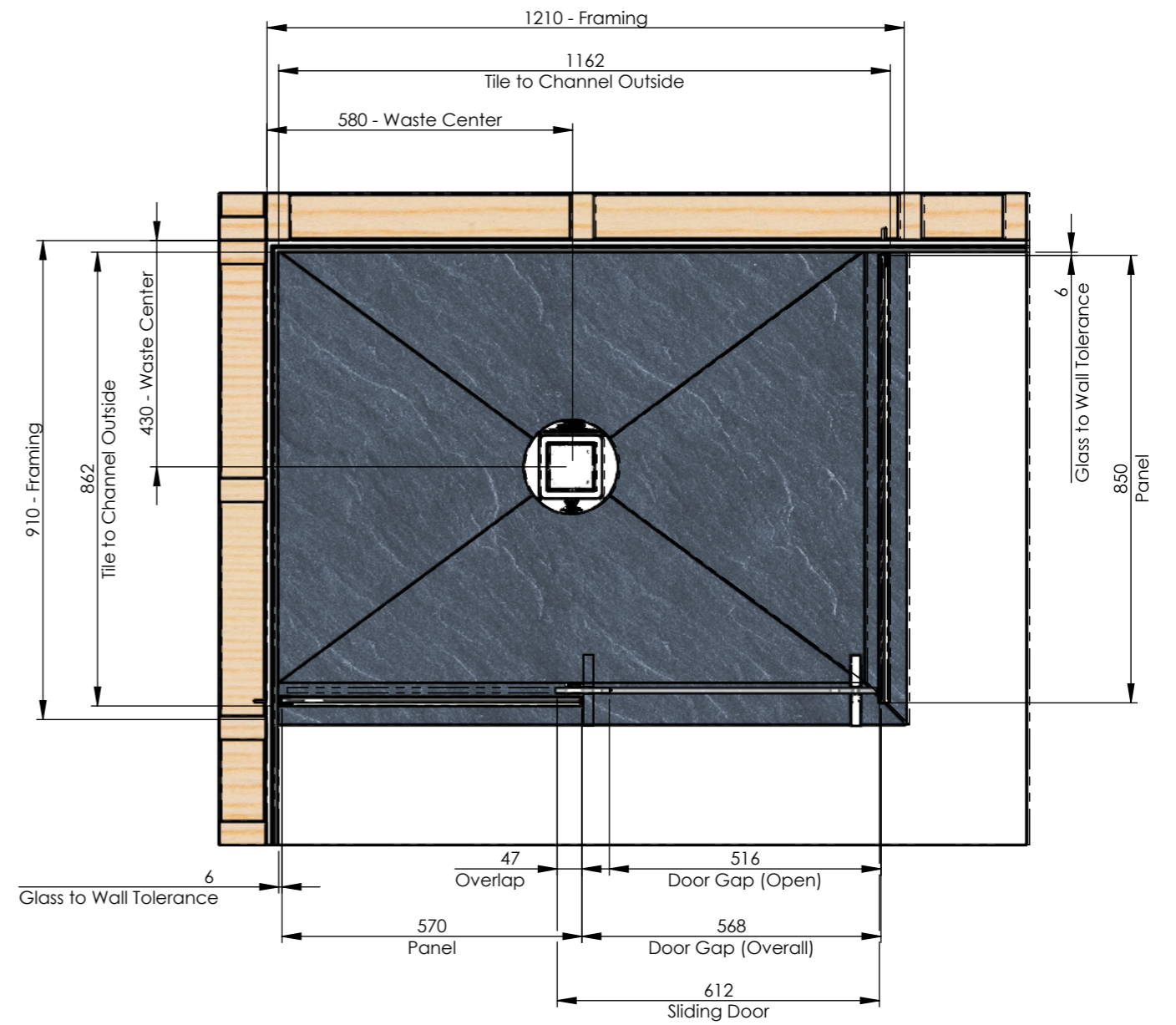
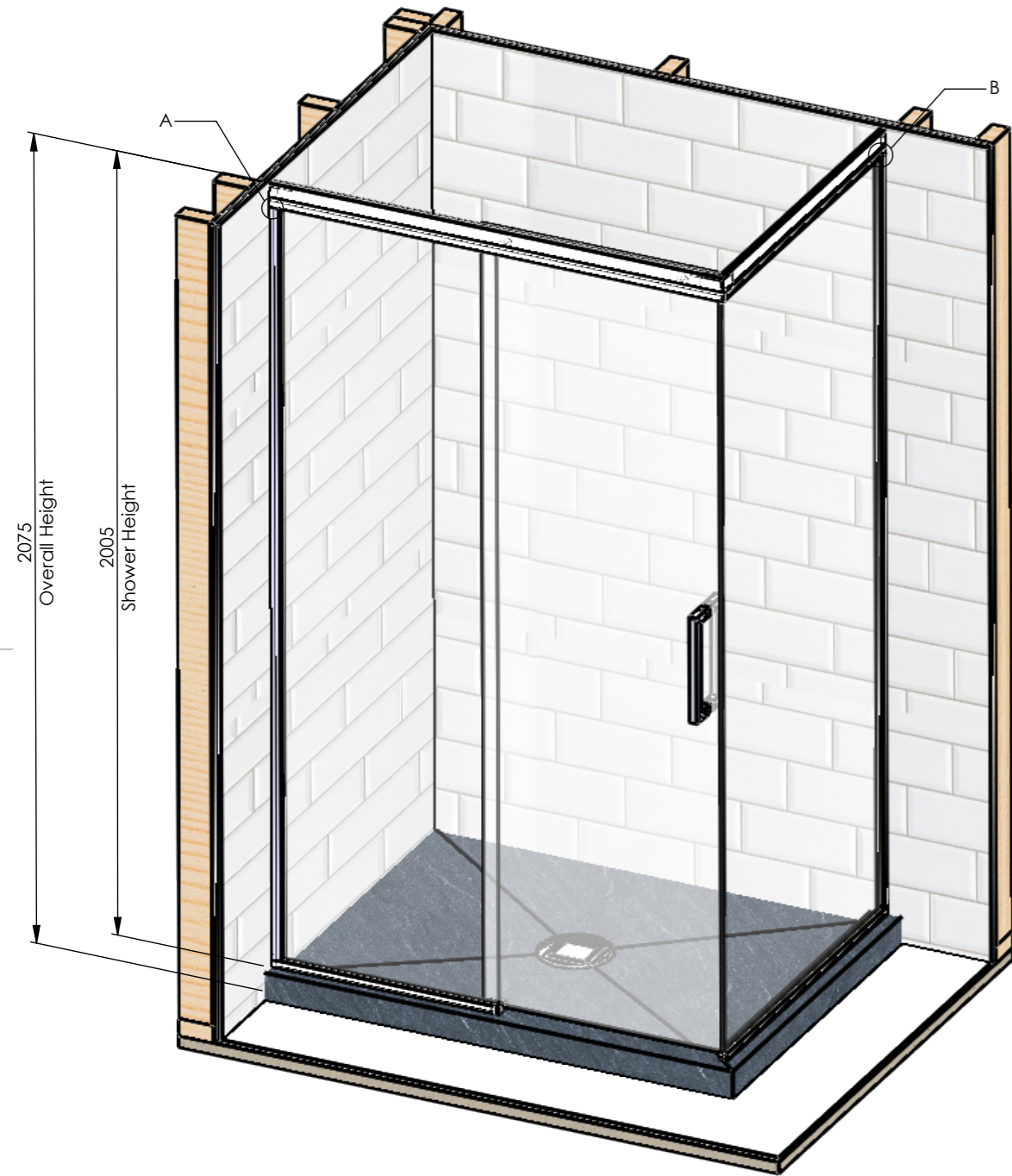
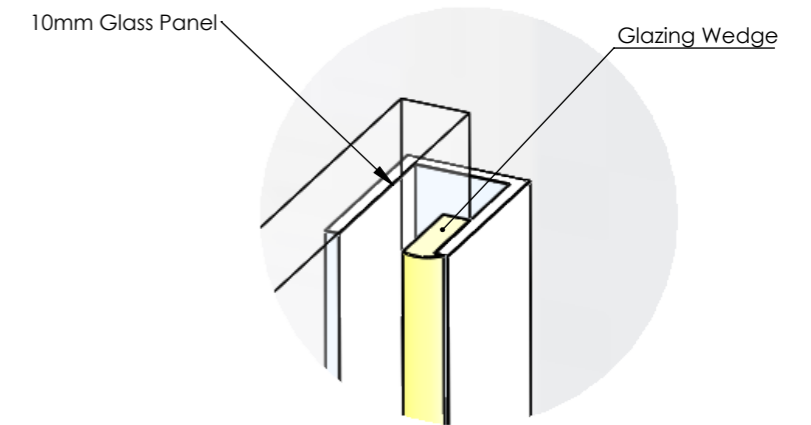


# AC1290SD



Glass To Wall Tolerance  
DETAIL A



Glass To Wall Tolerance  
DETAIL B

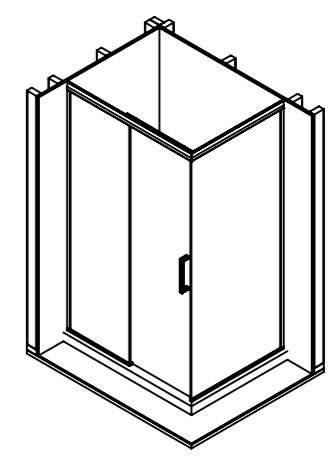
**Customer Service**  
0800 40 40 42  
sales@crestshowers.co.nz

**CLIENT:**  
**PROJECT:**  
**JOB NUMBER:**  
**TITLE:** Apex Center Waste 1200 x 900 Corner Sliding Door Shower

**MODEL CODE:** AC1290SD  
**COLOUR:**  
**DATE:**  
**DRAWN:**

**DO NOT SCALE DRAWING**  
**ALL DIMENSIONS IN MILLIMETER**  
**UNLESS SPECIFIED.**  
**SHEET 1 OF 1**

S	BOM NAME	QTY	LENGTH	DESCRIPTION
1	005-006L	1		Sereno Sliding Door Guide Left
2	005-006R	1		Sereno Sliding Door Guide Right
3	AB21209L	1		Tile Over Base with hobs 1200x900 Centre waste left hand corner
4	612SD	1		612 x 1994 Concealed Sliding Door
5	570P	1		Panel 570 x 1950
6	850P	1		Panel 850 x 1950
7	S436	1		Glazing Wedge
7.1		1	1941.00	
7.2		1	562.00	
7.3		1	1941.00	
7.4		1	842.00	
8	S445	1		18 x 18 Floor Channel
8.1		1	576.00	
8.2		1	856.00	
9	S445	2		18 x 18 Wall Channel
9.1		1	1930.00	-
10	S490	1		Sliding door top track
10.1		1	1162.51	
11	S490	1		Sliding door top track
11.1		1	862.51	
12	STS106	1		Easy Clean Waste - Tile Insert Lid
13	S632	1		Door Bulb Seal 1994
14	S418	1		Square D Handle
15	CS12	1		Concealed Sliding Door Kit



Customer Service  
0800 40 40 42  
sales@crestshowers.co.nz

CLIENT:  
PROJECT:  
JOB NUMBER:  
TITLE:

MODEL CODE:  
COLOUR:  
DATE:  
DRAWN:

DO NOT SCALE DRAWING  
ALL DIMENSIONS IN MILLIMETER  
UNLESS SPECIFIED.  
SHEET 1 OF 1