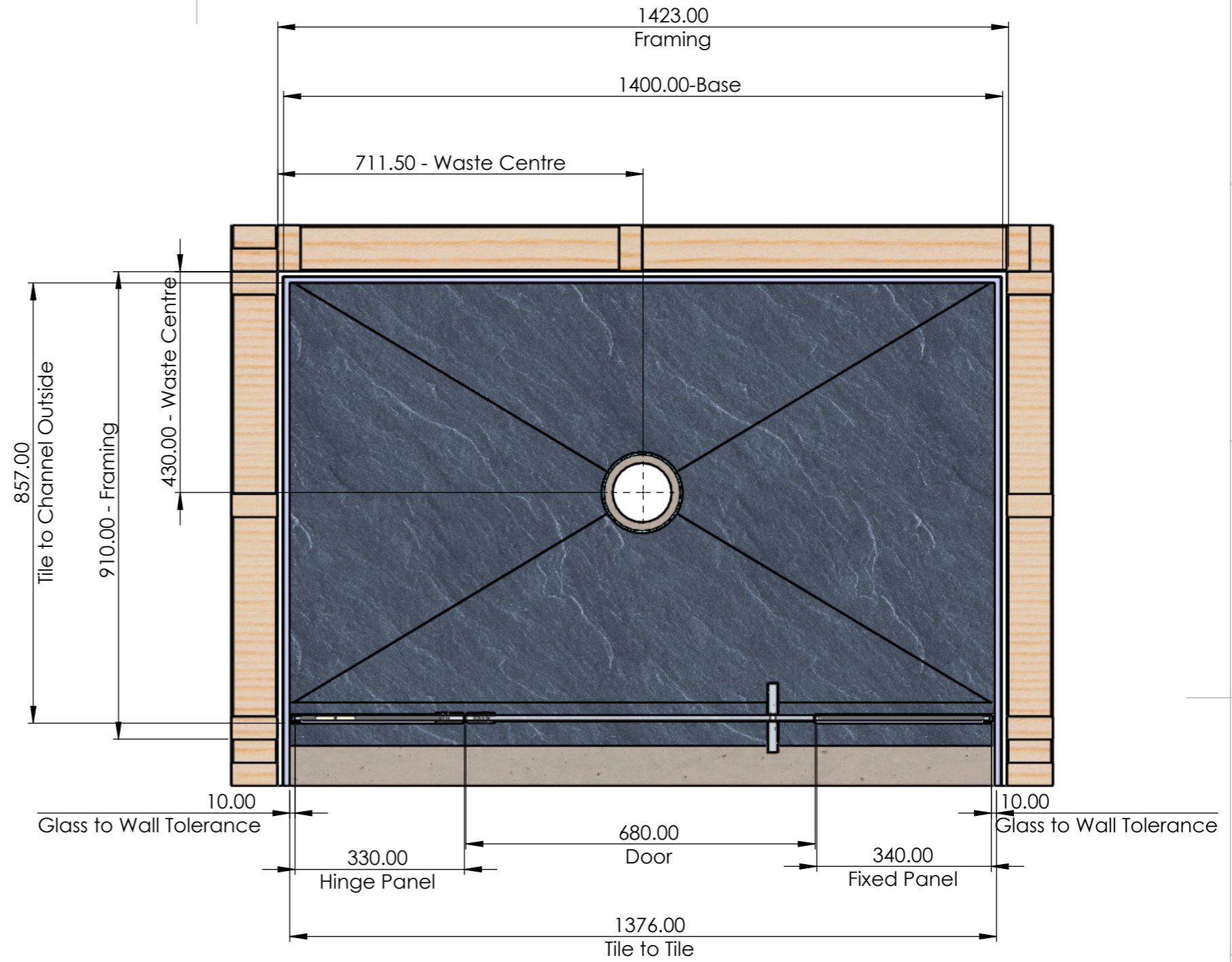
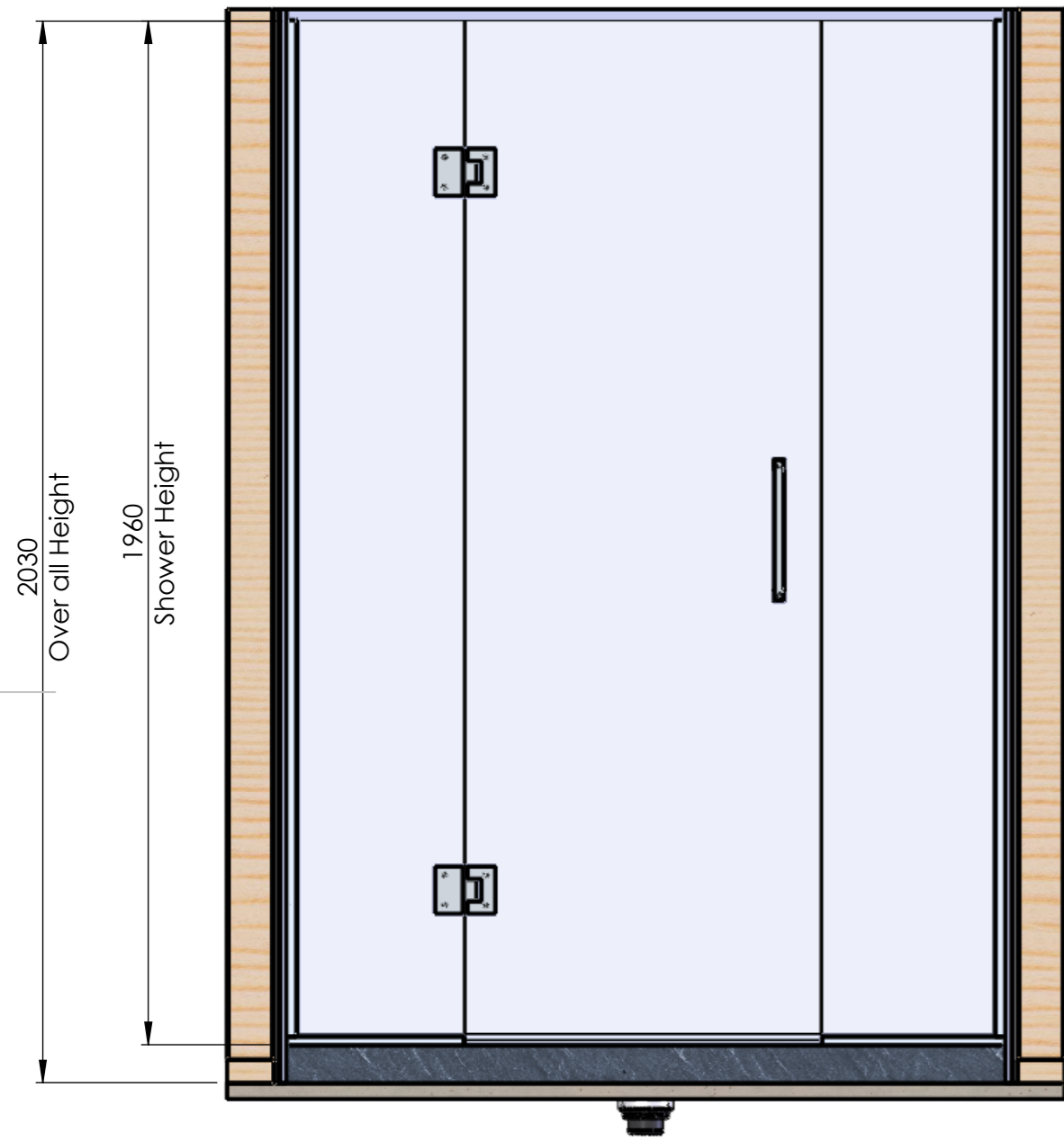


# AA1490



**Note : Allow for 10mm Tile and 2mm Grout**



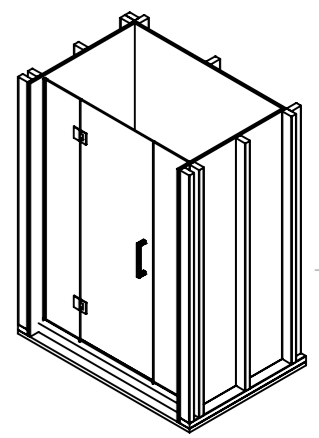
**Customer Service**  
0800 40 40 42  
sales@crestshowers.co.nz


**CLIENT:**  
**PROJECT:**  
**JOB NUMBER:**  
**TITLE: Apex 1400 x 900 Centre Waste Alcove**

**MODEL CODE: AA1490**  
**COLOUR:**  
**DATE:**  
**DRAWN:**

**DO NOT SCALE DRAWING**  
**ALL DIMENSIONS IN MILLIMETER**  
**UNLESS SPECIFIED.**  
**SHEET 1 OF 1**

S	BOM NAME	QTY	LENGTH	DESCRIPTION
1	S418	1		Square D Handle
2	S436	1		
2.1	S436	1	332	S436 Glazing Wedge
2.2	S436	1	1951	S436 Glazing Wedge
2.3	S436	1	342	S436 Glazing Wedge
2.4	S436	1	1951	S436 Glazing Wedge
3	EC2-S	2		18 x 18 End Cap
4	AB31409	1		Tile Over Base with hobs 1400x900 Centre waste alcove
5	680D	1		Shower Door 680W x 1945 with 2 hinge cut outs
6	340P	1		Panel 340 x 1950
7	330PC	1		Hinge Panel 330 x 1950
8	S445	1		18 x 18 Glazing Floor Channel
8.1	S445	1	340	S445 Sereno Glazing Channel 18 x 18mm
8.2	S445	1	350	S445 Sereno Glazing Channel 18 x 18mm
9	S445	2	1940.00	18 x 18 Wall Channel
10	S626	1	680.00	Door to Floor Drip strip seal for 10mm Glass
11	STS106	1		Easy Clean Waste - Tile Insert Lid
12	S180	2		Shower Door hinge 180 degree



	Customer Service	CLIENT:	MODEL CODE: AA1490	<b>DO NOT SCALE DRAWING</b> <b>ALL DIMENSIONS IN MILLIMETER</b> <b>UNLESS SPECIFIED.</b> <b>SHEET 1 OF 1</b>
	0800 40 40 42	PROJECT:	COLOUR:	
	sales@crestshowers.co.nz	JOB NUMBER:	DATE:	
		TITLE: Apex 1400 x 900 Centre Waste Alcove	DRAWN:	