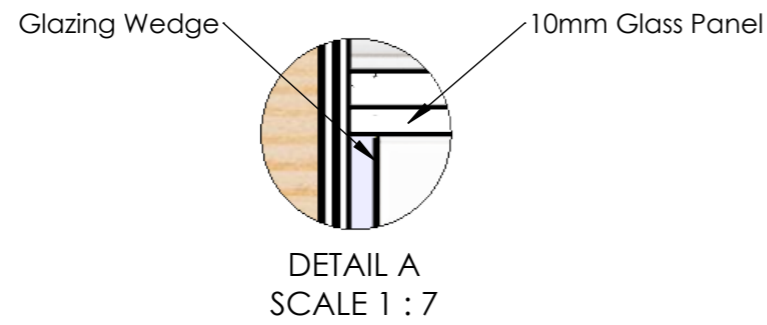
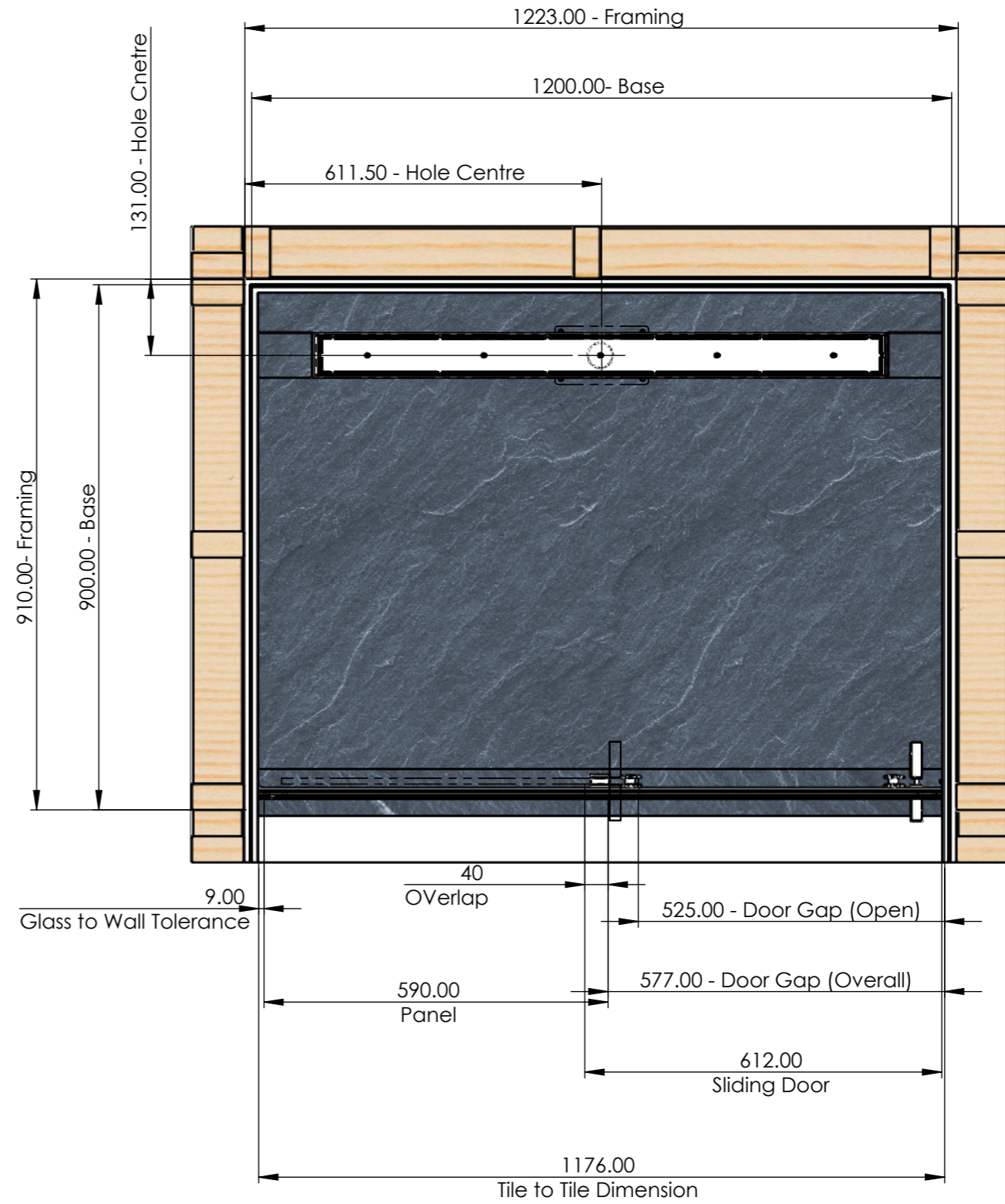
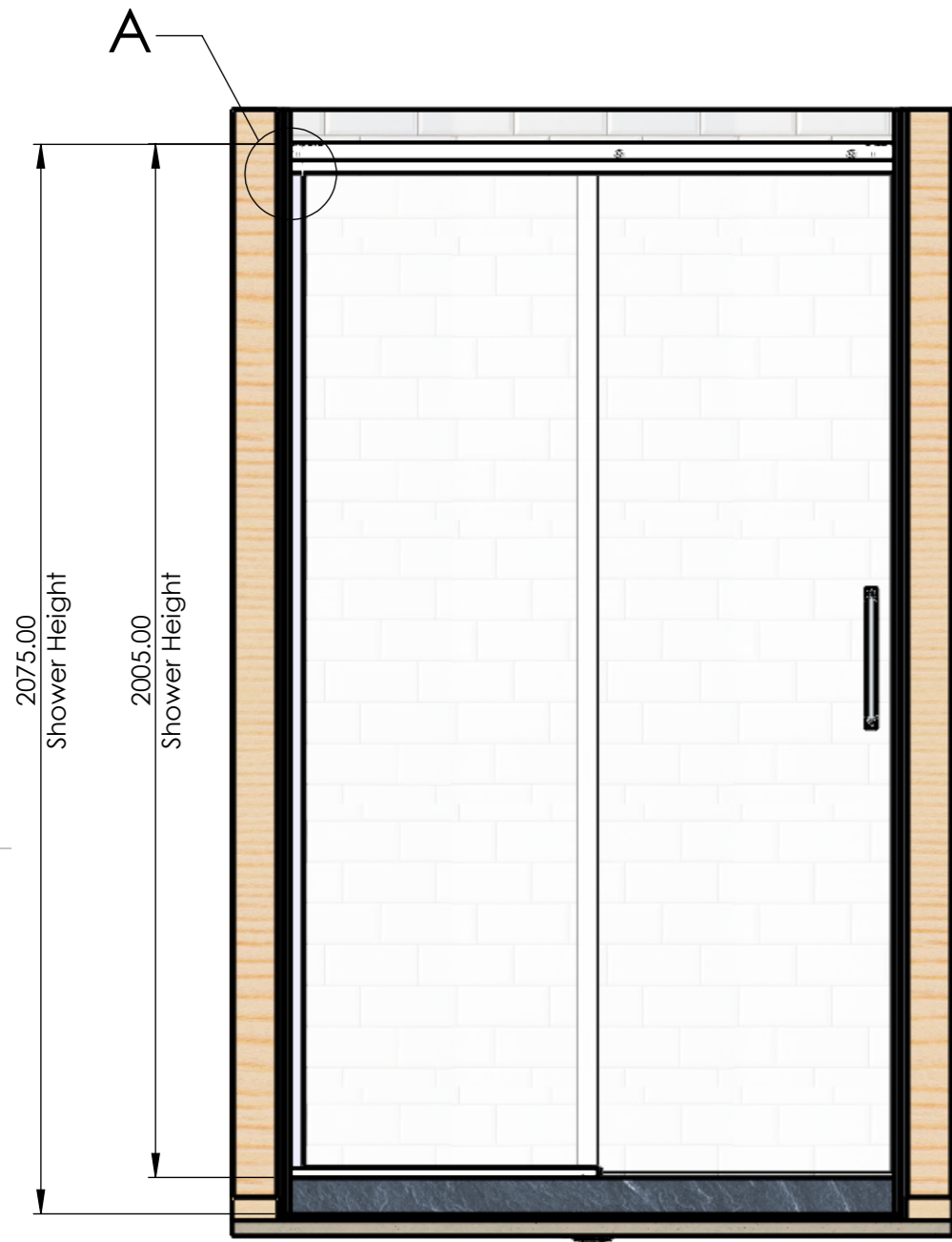
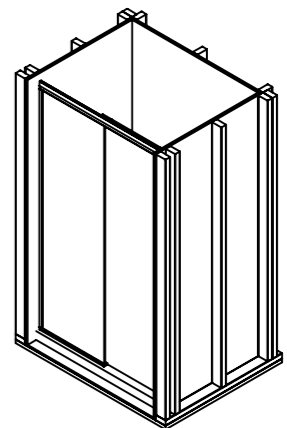



# AA1290SDCW



S	BOM NAME	QTY	LENGTH	DESCRIPTION
1	005-006L	1		Sliding Door Guide Left
2	005-006R	1		Sliding Door Guide Right
3	612.00SD	1		612.00 x 1994.00 GLASS DOOR - SD
4	590P	1		Panel 590 x 1950
5	S436	1		Glazing Wedge
5.1		1	1941	
5.2		1	585	
6	S445	1		18 x 18 Glazing Wedge
6.1		1	599	
7	S445	1		18 x 18 Glazing Channel
7.1		1	1930	-
8	S490	1		Concealed Roller Rail
8.1		1	1180	
9	S418	1		Square D Handle
10	CS12 - C	1		Concealed Sliding Door Roller Kit
11	CD980-T	1		Channel Drain - Tile Insert Lid
12	AB31209CHW	1		Tile Over Base with Hobs 1200x900 Channel Waste Alcove
13	S632	1		Door Bulb Seal 1994
14	PF080	1		Rectangle Puddle Flange For Channel Waste Drains - 80mm



	<b>Customer Service</b> 0800 40 40 42 sales@crestshowers.co.nz	<b>CLIENT:</b>	<b>MODEL CODE: AA1290SDCW</b>	<b>DO NOT SCALE DRAWING</b> <b>ALL DIMENSIONS IN MILLIMETER</b> <b>UNLESS SPECIFIED.</b> <b>SHEET 1 OF 1</b>
		<b>PROJECT:</b>	<b>COLOUR:</b>	
		<b>JOB NUMBER:</b>	<b>DATE:</b>	
		<b>TITLE: Apex Shower - sliding door -1200 x 900 - Alcove - Channel Waste</b>		