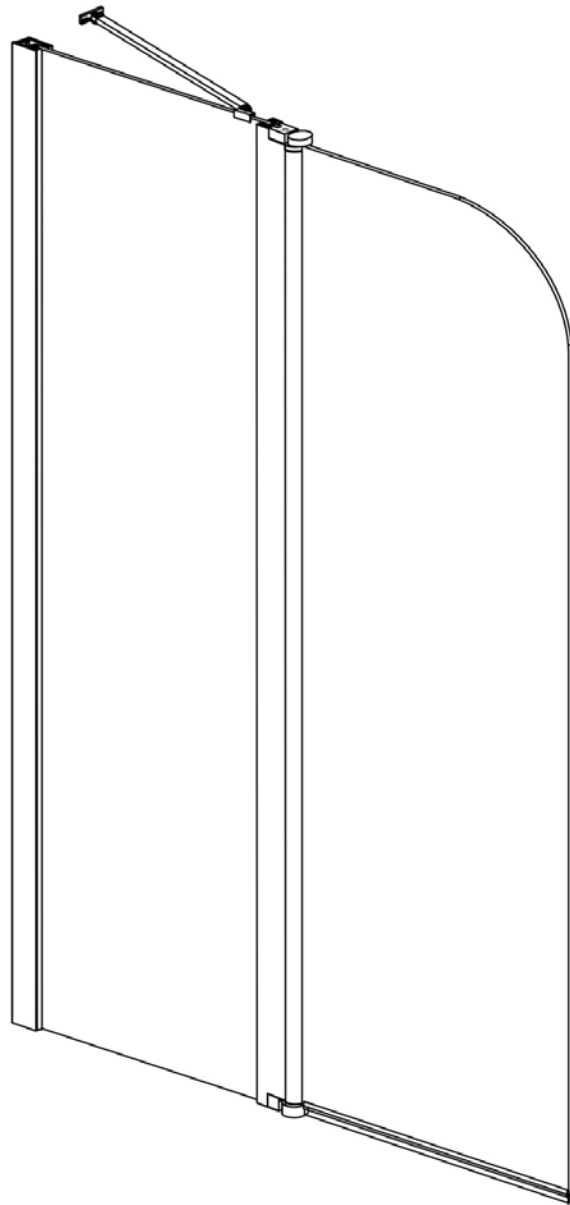


INSTALLATION INSTRUCTIONS

SF6221



Size: (650+550)X1400mm



◆ General Information

Please inspect the product immediately upon receipt for transit damage, missing packs/parts or manufacturing fault. Damage reported later cannot be accepted. Please handle the product with care avoiding knocks and shock loading to all sides and edges of the glass.

Notes: Safety glass can not be re-worked.

Please read these instructions carefully before start of installation.

Special care should be taken when drilling walls to avoid hidden pipes or electrical cables.

Note: This product is heavy and may require two people to install.

Aftercare instructions

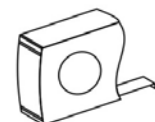
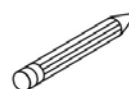
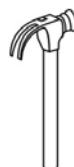
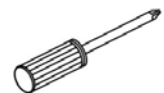
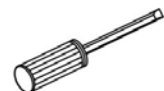
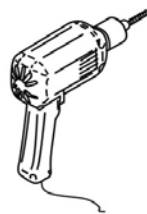
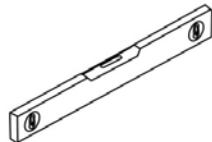
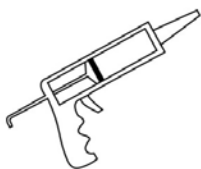
After use, your shower should be cleaned with soap and water. This is particularly important in hard water districts where insoluble lime salts may be deposited and allowed to build up.

Cleaners of a gritty or abrasive nature should not be used. Care should be taken to avoid contact with strong chemicals such as organic solvents and strippers.

Glass cleaners can be used but with caution, if in doubt contact the manufacturer of the cleaner in question.

Please keep these instructions for aftercare and customer service details.






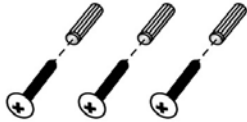





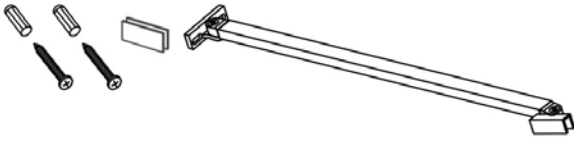





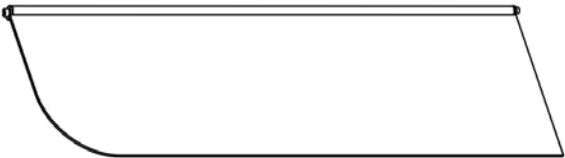
Tools Required



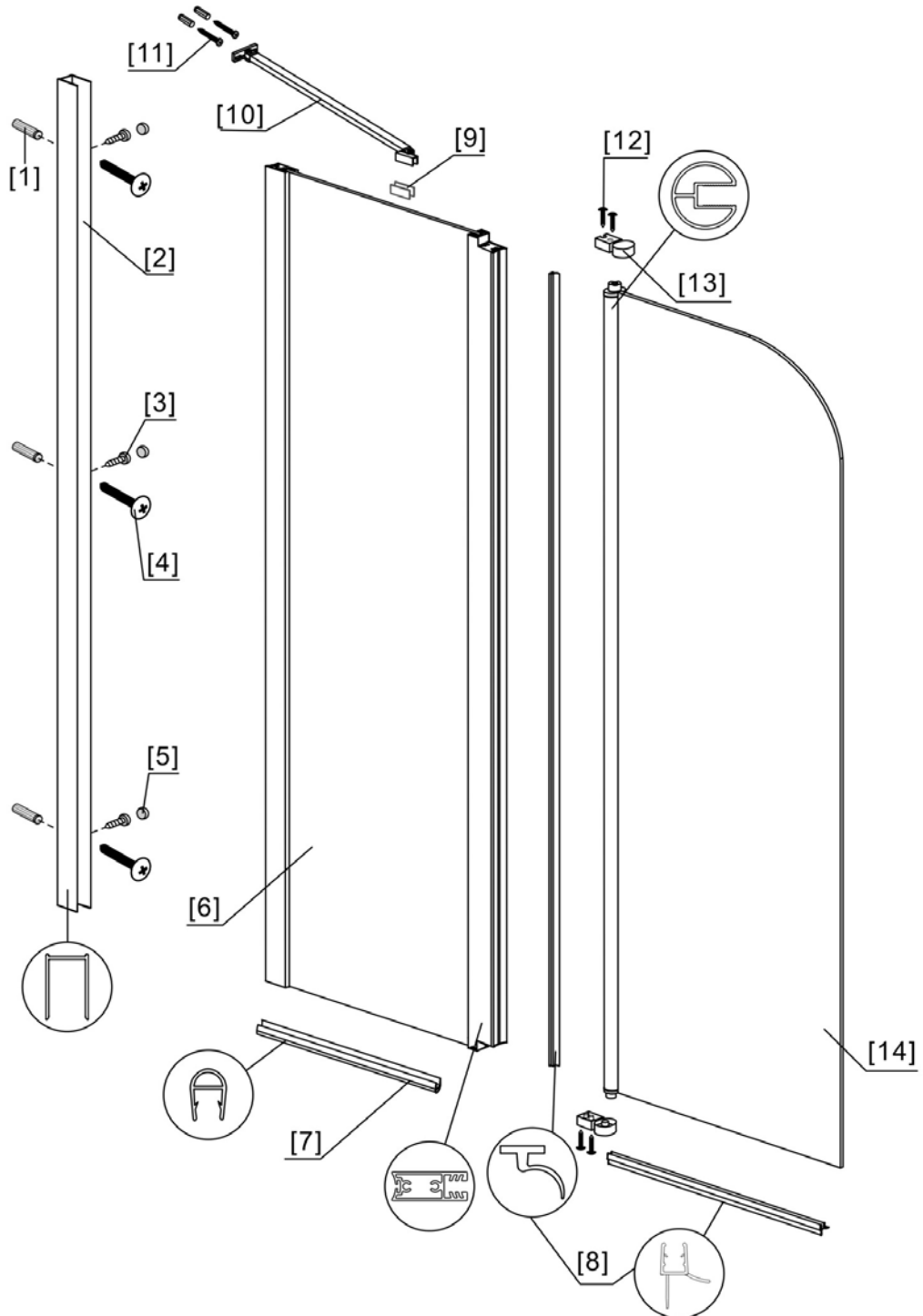
This product is heavy and may require two people to install.



◆ Box Contents:

<p>[1] 1xWall Post.</p>		
<p>[2] 1xInstallation Instruction.</p>		
<p>[3] 3xWall Plugs. 3xFlat Screws M4x35.</p>		
<p>[4] 3xScrews M4x8. 3xScrew Cover Caps.</p>		
<p>[5] 4xRound Screws M4x35 2xHinges.</p>		
<p>[6] 1xBracket. 2xWall Plugs. 2xBrad Screw M4x35. 2xCushions.</p>		
<p>[7] 2xWater Deflectors.</p>		
<p>[8] 1xFixed Panel.</p>		
<p>[9] 1xDoor Panel.</p>		

◆ Assembly Drawing

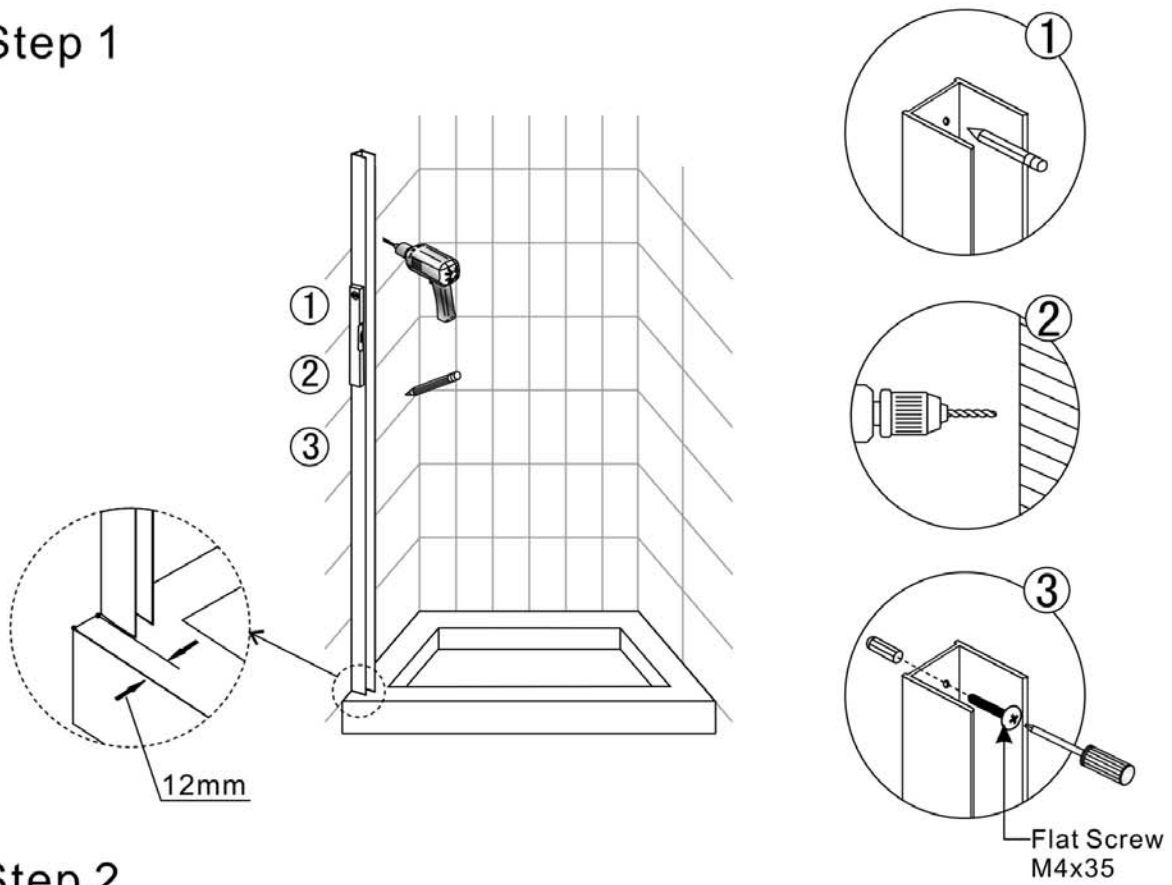


- [1] 5xWall Plugs
- [2] 1xWall Post
- [3] 3xScrews M4x8
- [4] 3xFlat Screws M4x35
- [5] 3xScrew Cover Caps
- [6] 1xFixed Panel
- [7] 1xWater Deflector

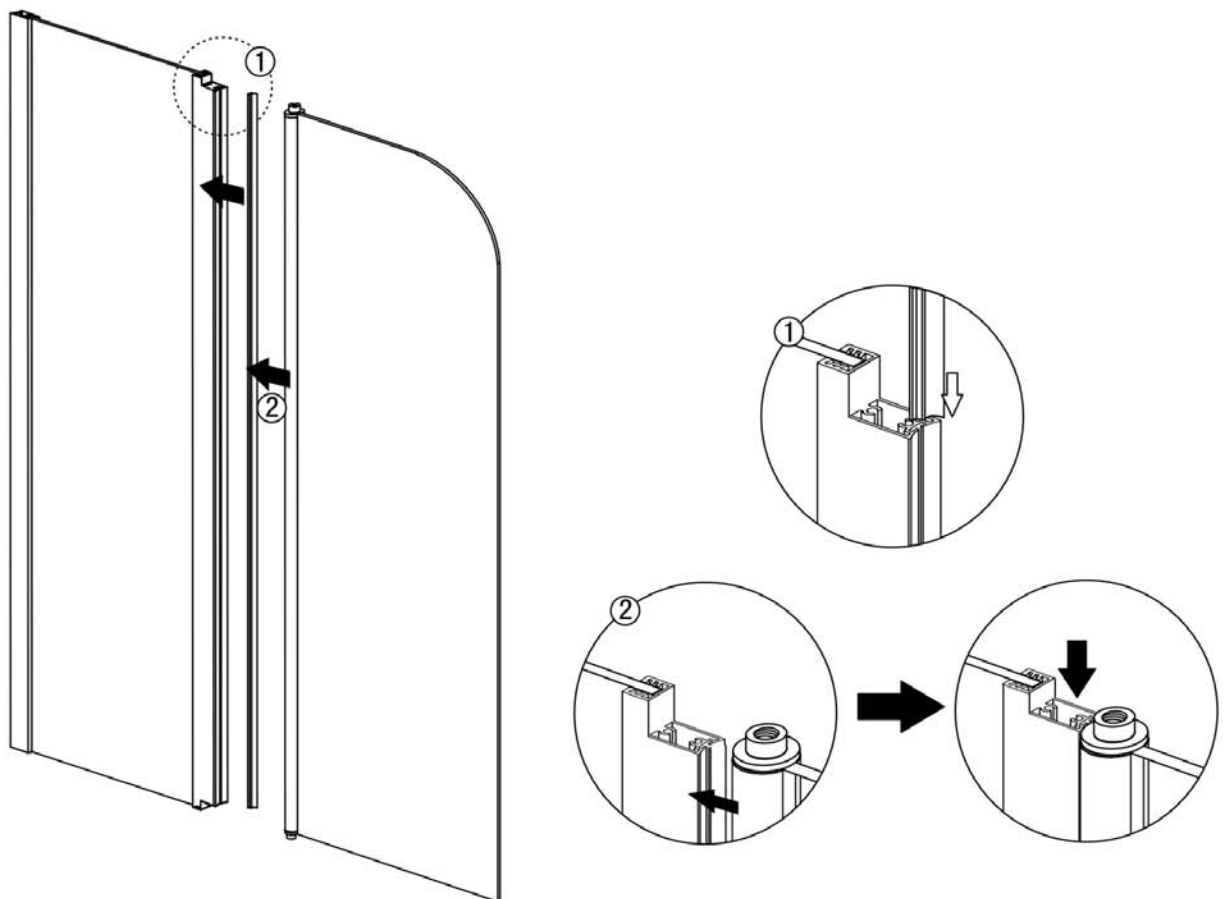
- [8] 2xWater Deflectors
- [9] 2xCushions.
- [10] 1xBracket
- [11] 2xBrad Screw M4x35
- [12] 4xRound Screw M4x35
- [13] 2xHinges
- [14] 1xDoor Panel

◆ Installation Steps

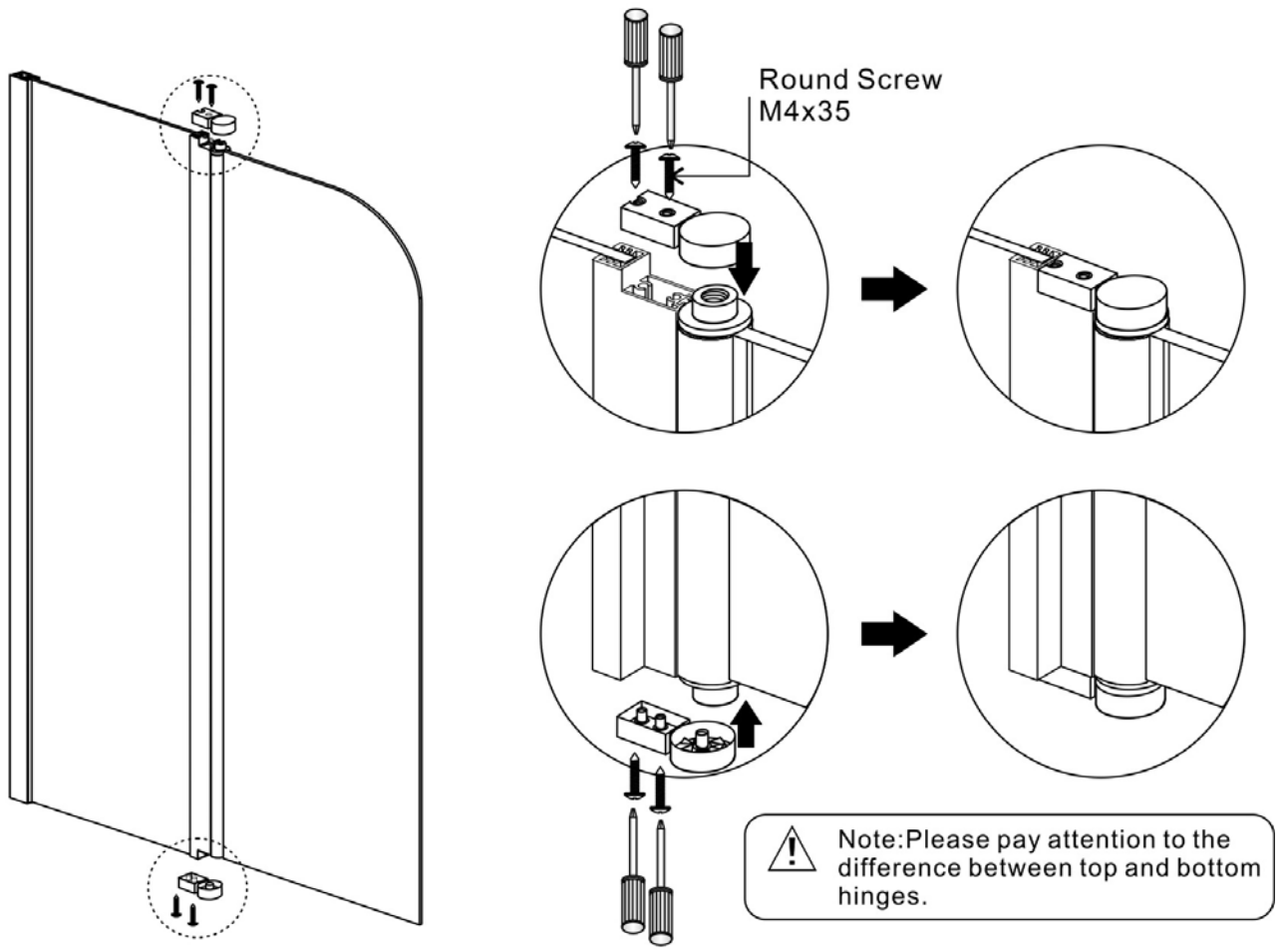
Step 1



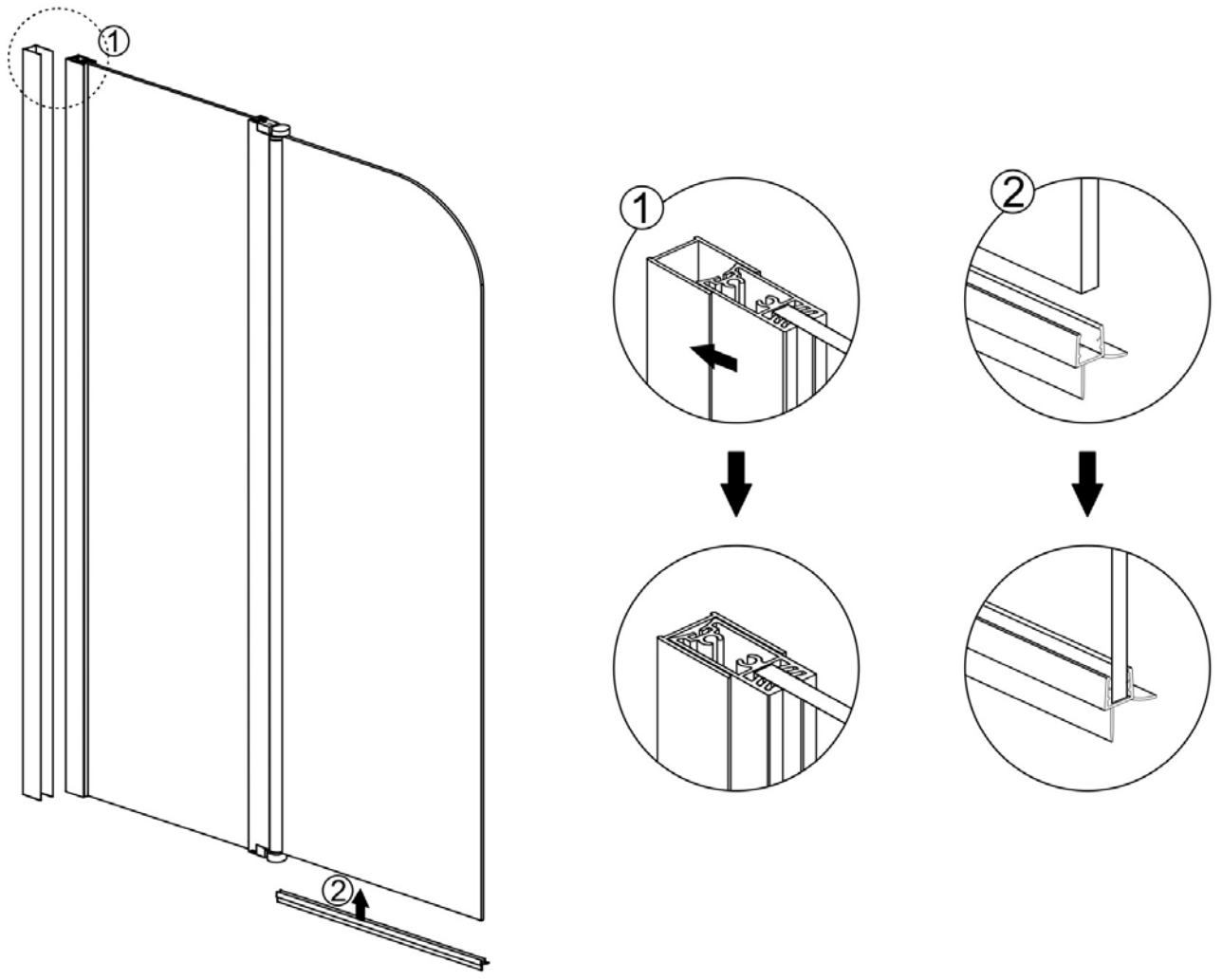
Step 2



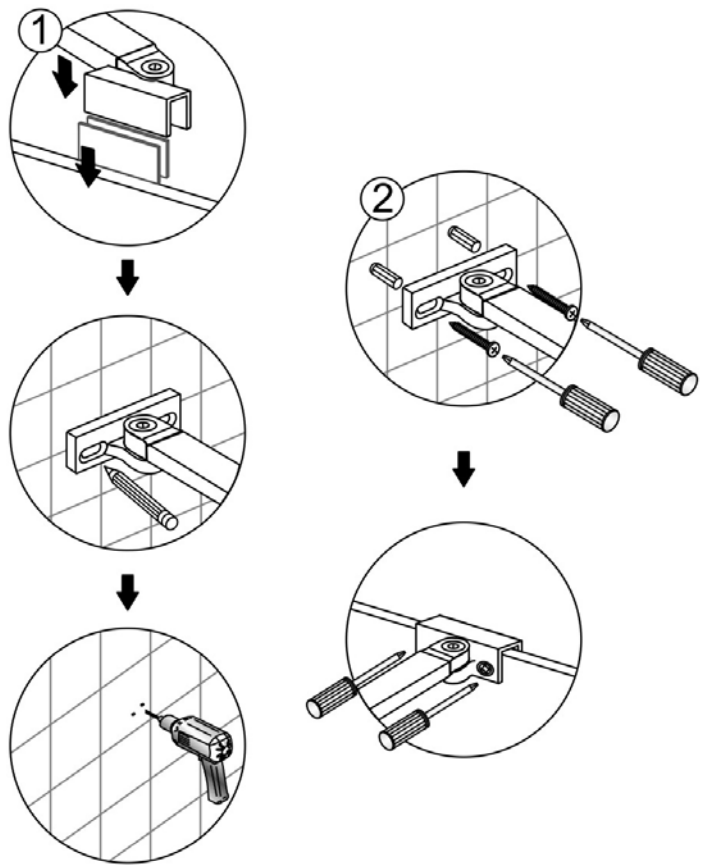
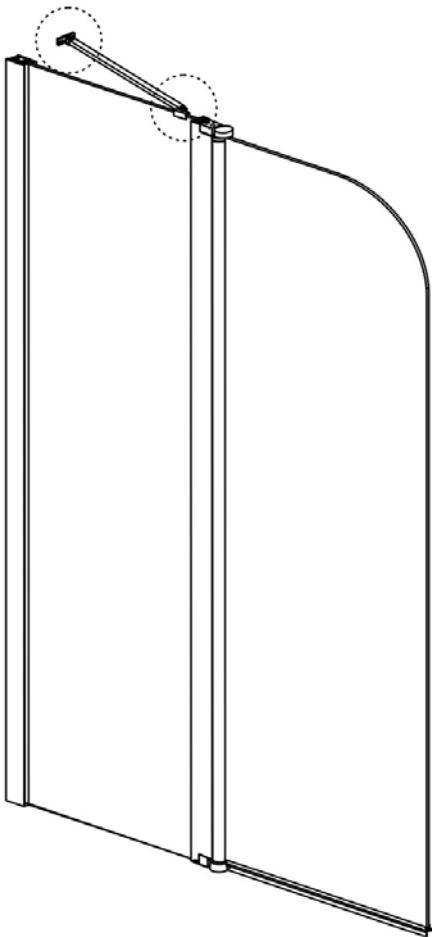
Step 3



Step 4

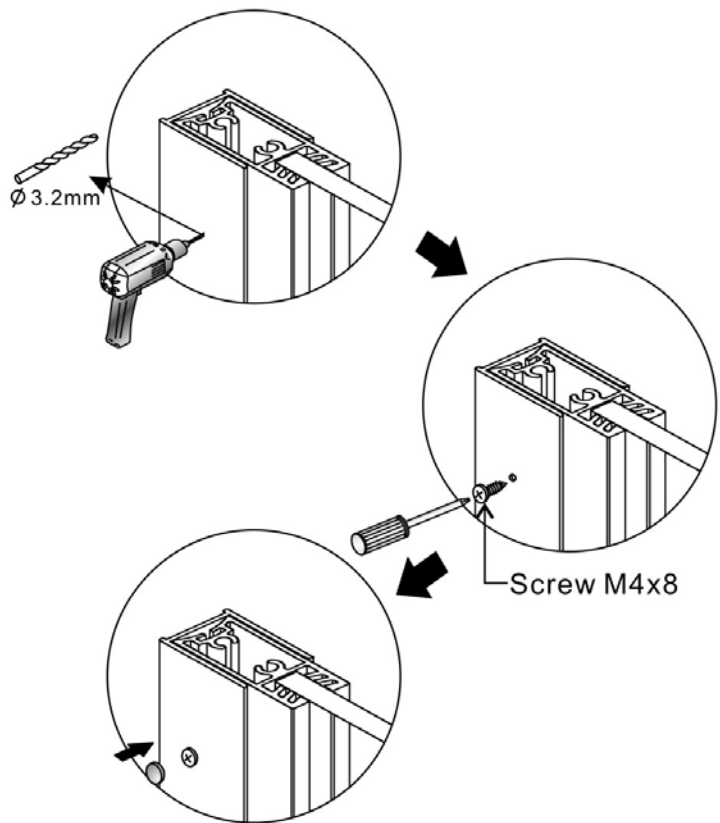
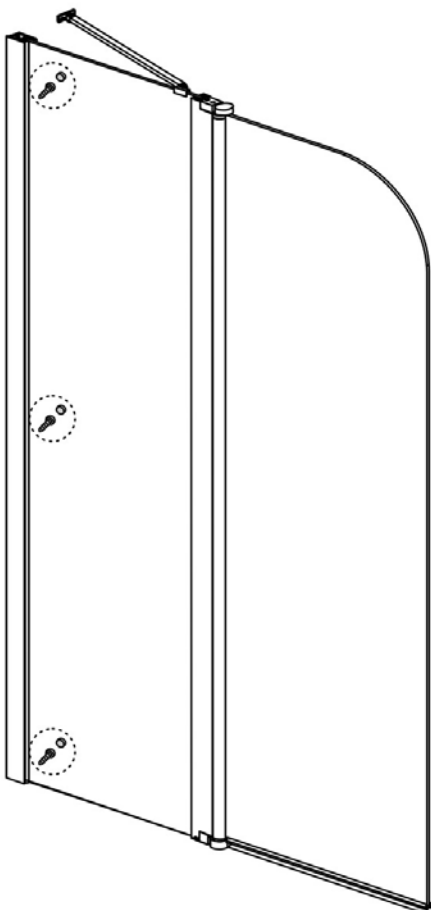


Step 5



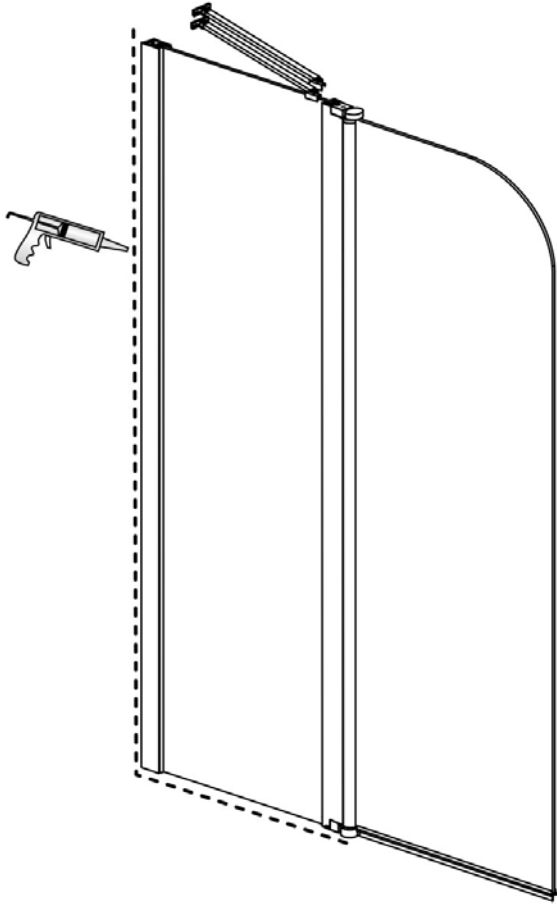
! Attention please:
Put two pieces of cushions into one side
of the clip together, where is facing outside;
and then install the glass panel in.

Step 6



View from inside

Step 7



Allow 24 hours for silicone to **dry** before use.