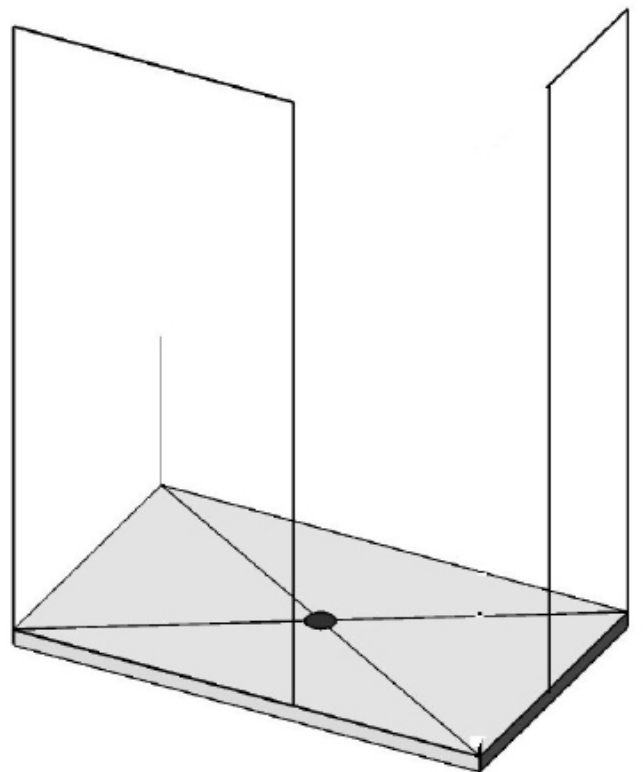
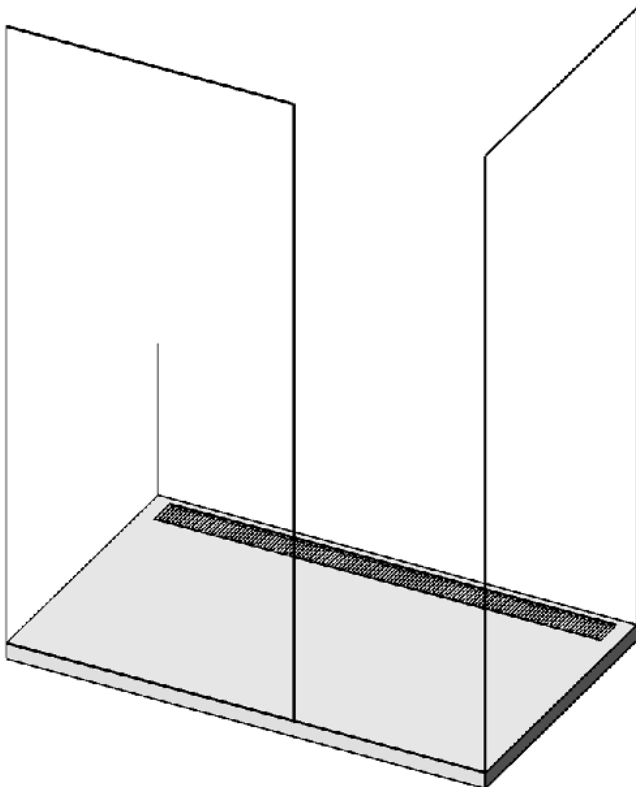


**AVA
WALK IN
INSTALLATION
INSTRUCTIONS**



AVA WALK IN INSTALLATION INSTRUCTIONS

crest
showers

NOTE: Read and understand all instructions before installing shower.

GENERAL SHOWER INFORMATION

- Due to weight of panels and base, 2 people may be needed to install shower.
- Walls must be plumb to a 2-3mm tolerance where shower is to be installed.
- Floor must be square to wall.

GLASS SAFETY

- Keep glass standing upright.
- Always sit glass on a padded surface i.e. polystyrene.
- Take extra precautions with edges of glass panels.
- If toughened safety glass hits a hard surface or is hit by a hard object, it may shatter or compromise the integrity of the glass.
- It is recommended that safety gloves and glasses are worn during installation.

AVA HINGED DOOR/ /



PARTS LIST

INCLUDED

1. Glass Panels
2. Channel Extrusion Kits
3. Installation Kit
4. Shower Base
5. Easy Clean Waste OR S-Trap Waste & Channel Drain
6. Silicone & Adhesive
7. Hardware

NEEDED

1. Caulking Gun
2. Level
3. Masking Tape
4. Drill
5. Screw Driver
6. Spray Bottle with Soapy Water
7. Paper Towels
8. Tape Measure

AVA WALK IN INSTALLATION INSTRUCTIONS

IMPORTANT INFORMATION

Please read all instructions and warranty information before beginning installation.

It is assumed that this instruction is being carried out by qualified trades-people.

The AVA shower base is a durable product but care must be taken during installation. Rough handling, impacts to wall flanges and other areas can cause unnecessary breaks which are not covered under warranty.

Please carefully **lift** and **lower** the shower base into position. Suction handles as used by glaziers can be very useful for this. **DO NOT DROP, HIT OR SLIDE SHOWER BASE.**

Once out of its freight packaging and after installation we firmly recommend keeping the surface covered to remove the risk of unnecessary damage i.e. dropped tools, tiles, glass, paint etc. The packaging can be easily cut down/modified to make a covering until work is complete.

AVA ORDER OF SHOWER INSTALLATION

1. Base
2. Gib Lining
3. Water Proofing
4. Channels
5. Tiles
6. Glass

AVA WALK IN INSTALLATION INSTRUCTIONS

crest
showers

INSTALLATION INSTRUCTIONS

1A. CENTRE WASTE BASE - INSTALLING THE WASTE BODY

- Remove polystyrene block. Place waste body in position ensuring that it is aligned with hole in base. Connect waste body to waste outlet (FIG 1A).
- Ensure waste seal (red) is positioned properly in its recess.



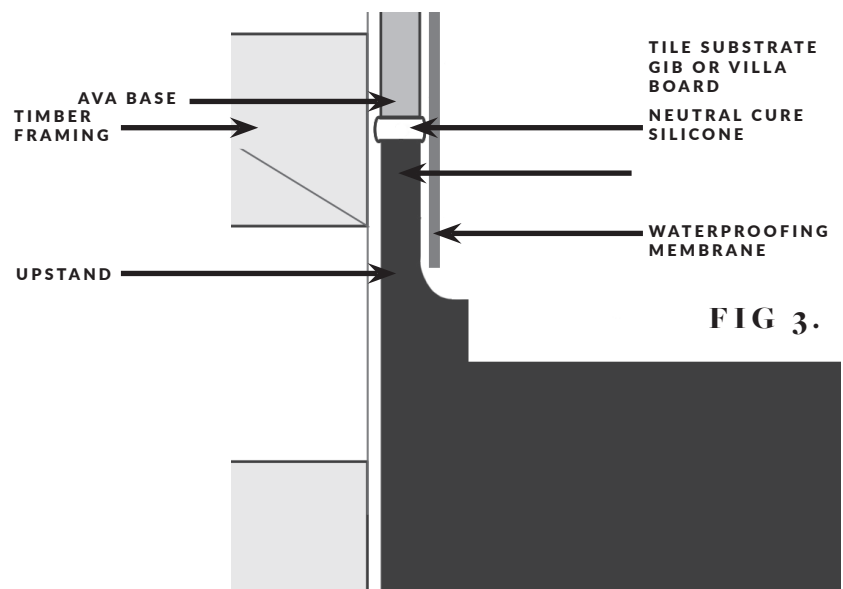
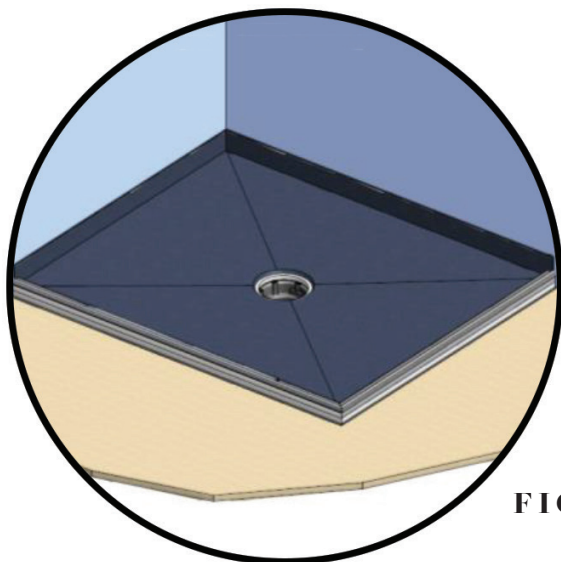
1B. CHANNEL WASTE BASE - INSTALLING THE WASTE BODY

- Fit Leak Control Flange Outlet into the floor, so it can be connected to the outlet S-Trap or Waste Pipe.



2. DRY FITTING THE BASE

- Clean/prepare floor surface in accordance with directions on adhesive. Check floor for level surface, noting any humps and falls. The floor must be completely clean and free from all dust. Walls should be plumb.
- Fit the shower base into position by carefully lifting and lowering into place. The shower base must fit square/plumb to adjacent walls and be rock solid under foot.
- Ensure inside face of the upstand is flush with the Gib (FIG 2).
- If required, use plastic H packers to level shower base in all directions, particularly through the drain channel (if channel waste model supplied) (FIG 1).
- Once sitting level and in correct position, carefully remove tray. Secure H packers to the floor to prevent them shifting when refitting tray.



SHOWER BASE

AVA WALK IN INSTALLATION INSTRUCTIONS

crest
showers

3. LEVEL ENTRY KIT

- Level entry applications require Level Entry Kit flashing (GREEN ANGLE FIG 4) to be siliconed to the base. The waterproofing outside the shower will lap onto this flashing as shown (RED LINE FIG 4). Please refer to supplied dimension sheet for measurements.

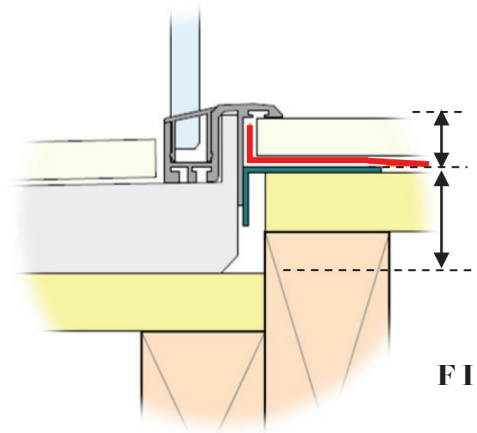


FIG 4.

4. FIX THE SHOWER BASE IN PLACE

- Carefully stand shower on edge in vertical position.
- Apply adhesive in continuous parallel 8mm lines approximately 100mm apart (FIG 5).
- Enough adhesive must be applied to contact with the floor and when set will provide a full and even support.
- Re-position shower base in place as per dry fit. Check again for level.
- Seal between top of upstand and bottom of Gib with silicone, ensuring the inside face of both are flush (FIG 6).
- Allow adhesive & silicone to fully set for at least 8 hours before standing on the shower base.

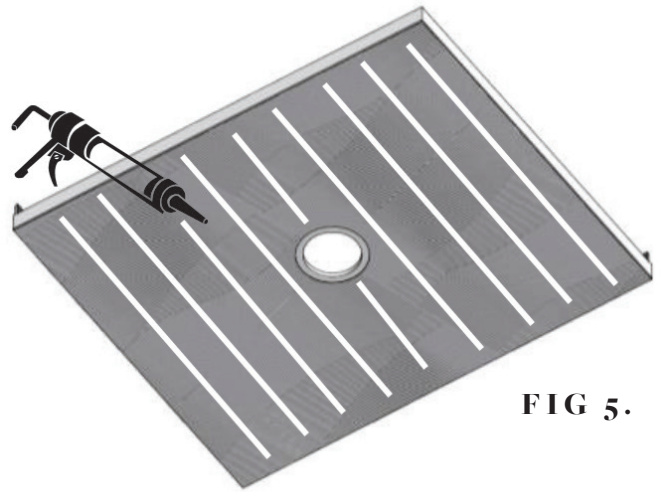


FIG 5.

5. WATERPROOFING

AVA bases are pre primed so do not need a primer. Crest Showers recommends applying a waterproof bandage covering the join between the top of the upstand and the bottom of the Gib board before applying waterproofing membrane down to the bottom of the upstand over the base, down into the waste hole and out to the floor or as per your Council's required application area. However, it is up to your registered waterproofer's discretion whether they wish to follow this recommendation.

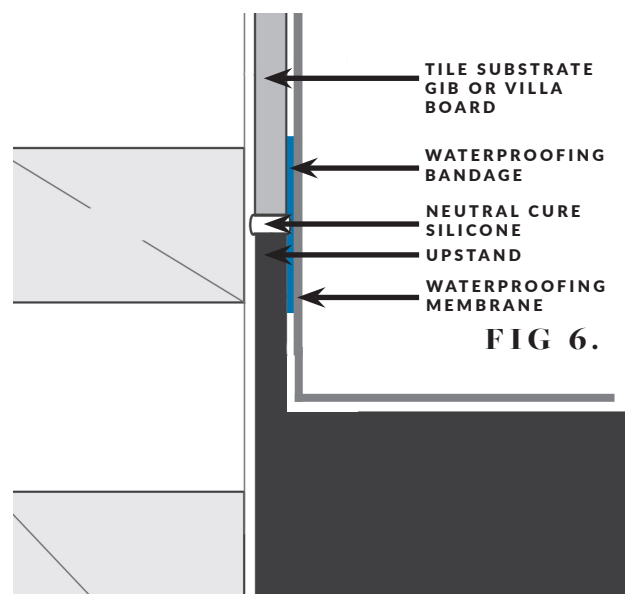


FIG 6.

AVA WALK IN INSTALLATION INSTRUCTIONS

crest
showers

6A. CENTRE WASTE BASE - INSTALLING THE WASTE TOP

- Place top waste clamp into recess and down into waste body then fasten top clamp in place (FIG 5) by fixing screws. Screws need to be firm but not over-tight.
- Screw waste lid onto top clamp.
- Put large polystyrene block back in position to protect base surface.

NOTE: Do not remove protective lid label on waste cover until end of installation process.

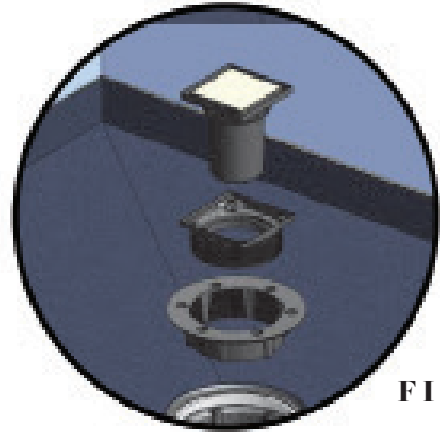


FIG 7A.

6B. CHANNEL WASTE BASE - INSTALLING THE CHANNEL DRAIN

- Once the water proofing has cured, the tiler will need to set up the height of the channel waste drain lid to align with the finished surface of the selected tiles. This is achieved by applying large 'daubs' of adhesive under the channel drain to set the finished channel drain height. This is to allow any leakage of water beneath the tiles to be able to work it's way out towards the waste outlet under the channel drain. (A solid mass of adhesive will only trap any water around the channel drain and potentially cause pooling of water.)
- Position the channel drain on the daubs of adhesive and check the final height is set below the finished tile height. Ensure a 15-20mm clearance is around all sides of the channel drain to accommodate for wall tiles so the removable lid is able to be removed for cleaning.

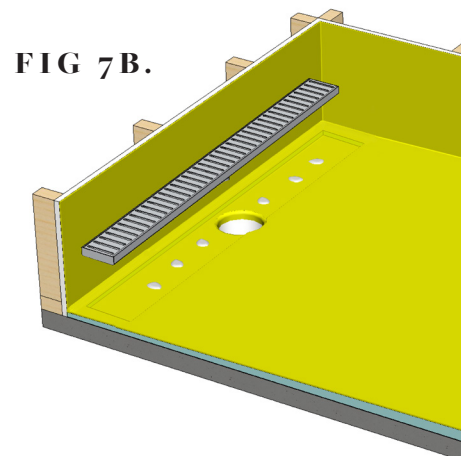


FIG 7B.

7. INSTALLING GLAZING CHANNELS

- Use a 2 meter level to check walls are within 2-3mm of plumb.
- Clean floor channels and underside of wall channel with a dry rag.
- Slide wall channel on top of floor channel, making sure they butt up to each other and insert channel connector inside 'wall to floor' joint to help line up the wall channel (FIG 8).
- When plumb, drill 2 holes (3.5mmD) in wall channel, lining up with framing locations. (FIG 9). The top hole should be within 100mm of top of channel and the second hole within 1000mm of top of channel. No screws will be required lower than 1000mm up from bottom of base.
- Remove dust from holes and from inside floor channel.
- Clean underside of wall channel with a dry rag before running a thick bead (be very liberal to allow overflow and proper adhesion) of silicone in a continuous line down the entire length of the back of the wall channel (FIG 9) and place on wall. Pop out channel connector and apply silicon into the floor to wall junction, pushing the channel connector back in once done.
- Inject silicone into and around screw holes (FIG 11). Ensure wall channel is plumb, then screw in place.

IMPORTANT

As an added waterproofing precaution, you can apply a continuous bead of silicon down the whole length of wall channel either on the interior or exterior of the wall channel as at your discretion.

IMPORTANT: PLEASE MEASURE WALL CHANNELS

**For walk in showers, wall channels will measure 1940mm.
If custom panels, your wall channels will measure 10mm less than your glass height.**

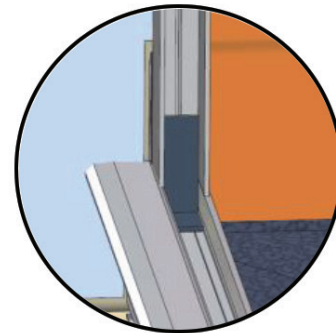


FIG 8.

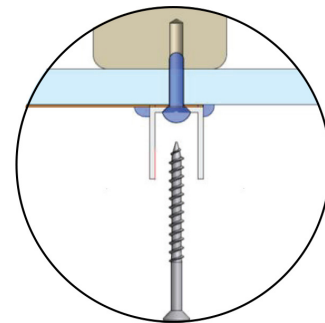


FIG 9.

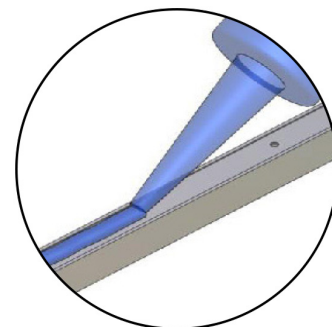


FIG 10.

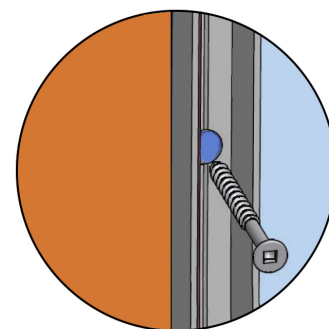
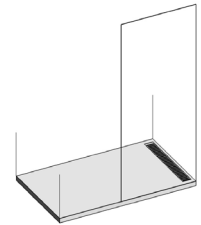


FIG 11.

12 x 12 ANGLED EXTRUSION INSTALLATION INSTRUCTIONS

FOR ALCOVE WALK IN SHOWERS WITH SINGLE FIXED PANEL / /

NOTE: These instructions also apply if a custom Sliding Door or Walk In with single fixed panel has been supplied.



SINGLE FIXED PANEL
WALK IN EXAMPLE

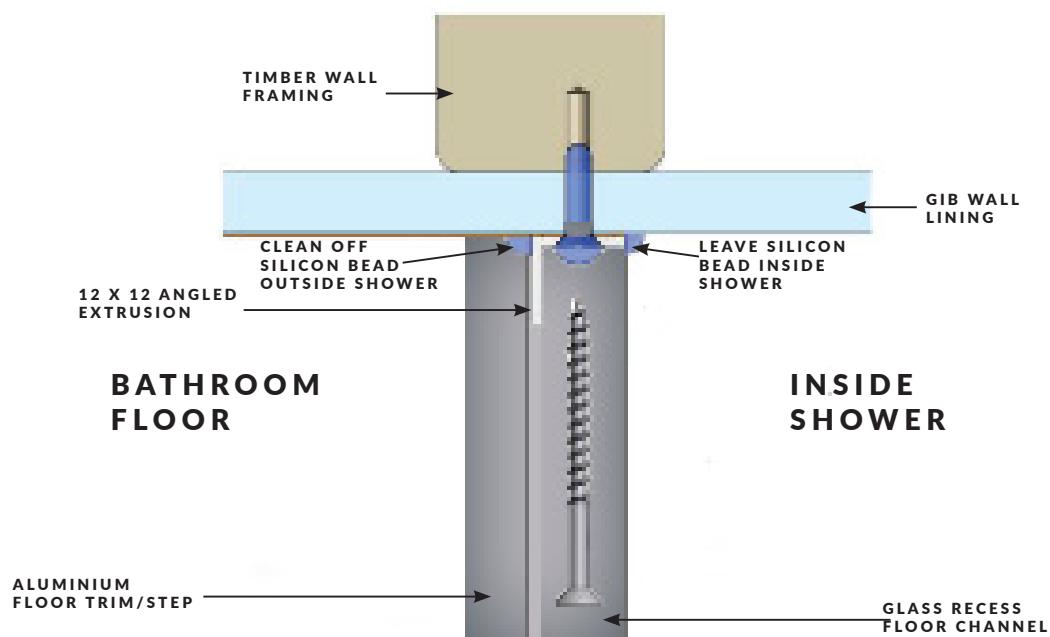
INSTALLATION INSTRUCTIONS

1. WALL CHANNEL

- Install the wall channel for the single fixed panel as per standard AVA instructions (see page 7).

2. ANGLED EXTRUSION

- Use a 2 meter level to check wall is within 2-3mm of plumb.
- Position 12 x 12 angled extrusion as pictured below.
- When plumb, drill 2 holes (3.5mmD) in angled extrusion, lining up with timber wall framing. The top hole should be within 100 mm of top of angled extrusion and the second hole within 1000mm of top channel. No screws will be required lower than 1000mm up from floor channel.
- Remove dust from holes and from inside floor channel.
- Clean angled extrusion with a dry rag before running a thick bead of silicon along the outside of extrusion as pictured below.
- Apply generous bead of silicon inside the floor/wall junction underneath the angled extrusion.
- Insert silicone into and around screw holes. Ensure angled extrusion is plumb, then screw into place.
- From inside of shower, apply a bead of silicon as an extra seal between whole length of angled extrusion and waterproofing as pictured below.



AVA WALK IN INSTALLATION INSTRUCTIONS

IMPORTANT NOTE FOR TILER

- Tiling placement for Level Entry and Hob Entry as pictured in the supplied dimension sheet.

IMPORTANT: We highly recommend dry fitting fixed panels prior to installation to ensure exact measurements of required door gap is achieved as pictured in supplied dimension sheet. Ensure all fixed panels are plumb and level. Use setting blocks as required to achieve this.

8. INSTALLING PANELS

- When panels are correctly aligned, remove panel 1 (FIG 2), and run a thick continuous line of silicone down the inside of the wall channel (FIG 13) and apply liberally in the floor to wall channel join.
- Slide glass panel into position (FIG 14) and use small wedges (FIG 15) or a flat plastering blade to slide glass panel back to inside edge of channel and against silicone.
- Ensure panel is still level and plumb.

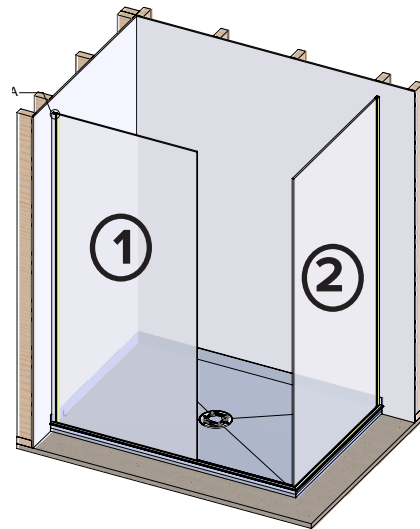


FIG 12.

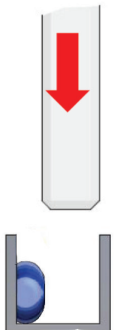


FIG 13.

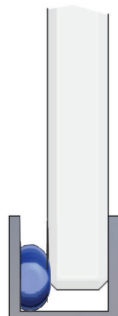


FIG 14.

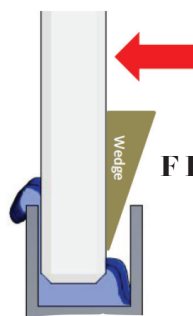


FIG 15.

9. FINISHING GLAZING CHANEL TO GLASS PANEL JOIN

- Starting at the top of the wall channel, from outside shower, spray with warm soapy water then insert rubber wedge seal into gap (removing plastic wedges if used). (FIG 16) Leave rubber wedge protruding 40mm at top to cut off later.

IMPORTANT: Rubber wedge must be pressed into channel lightly from top to bottom before pushing right in. This method ensures rubber wedge does not set stretched and then shrink later.

- Repeat steps 3 and 4 with applicable panels.

FOR GLASS TO GLASS JOINS:

- Apply masking tape down the length of the panel, allowing a 10mm gap for the glass to butt into for the glass to glass join (FIG 17).
- Run a continuous bead of silicon down entire length of 10mm face of installed wall to glass panel and across floor channel to the width of the glass to glass panel (FIG 18).
- Gently place glass to glass panel into siliconed floor channel and tilt gently upwards until it joins to glass to wall panel (FIG 19). Ensure there is no side to side movement while placing panel as this will smear silicone.
- Hold glass to glass join in place with masking tape.

- Cut off excess rubber wedge.
- Insert AVA door insert into door gap.
- Spray channels and glass with slightly soapy water then use spatula provided to clean off excess silicone (FIG 20). Repeat this process 3 times. Use minimal water then wipe off with paper towels.

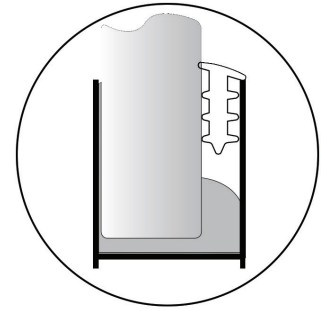


FIG 16.

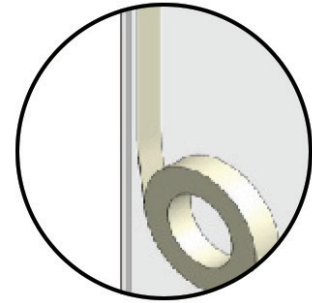


FIG 17.

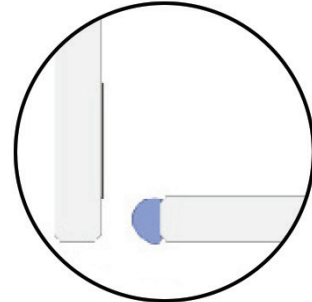


FIG 18.

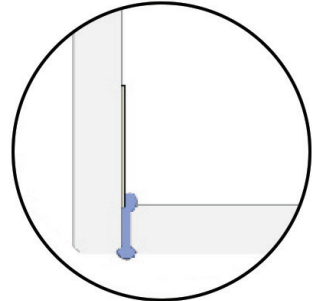


FIG 19.

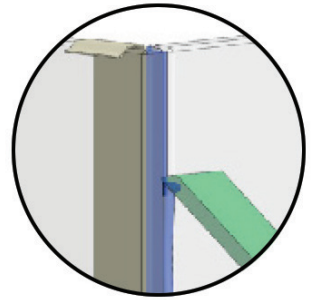


FIG 20.

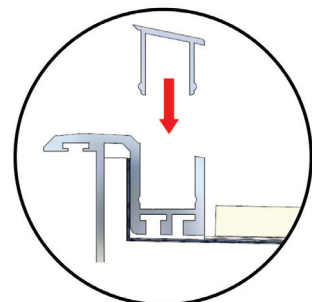


FIG 21.

10. INSTALLING SHELVES

Crest Showers Floating Glass Shower Shelf can be installed in any corner of a glass or tile wall. If two shelves are installed in the same corner, ideal shelf heights off the floor are 1200 & 1600mm. When installed in different corners, an ideal height is 1400mm off the floor.

When installing onto Seratone, Hardiglaze or Sim, apply masking tape to the liner then stick the stabiliser block to the masking tape. This makes the blocks easier to remove and protects the wall board surface.

We **DO NOT** recommend installing these on acrylic liners, due to adhesion difficulties.

IMPORTANT: Protect floor until adhesive has cured in case of the unlikely event that shelf/shower is disturbed and shelf falls off.

- Clean area shelf is being adhered to, ensuring it is free of any dust, soap scum, cleaners or any other substance.
- Remove backing from stabiliser blocks and press firmly onto wall (FIG 22).
- Place shelf in position and check for level. Optional - apply masking tape to shelf/wall (FIG 23).
- Remove shelf and put a thin bead of adhesive down both edges of shelf (FIG 24).
- Carefully place shelf on stabiliser blocks and gently push into corner. Check for level (FIG 25).
- Clean up adhesive with spatula. Remove masking tape.
- After 24-48 hours remove stabiliser blocks (FIG 26).

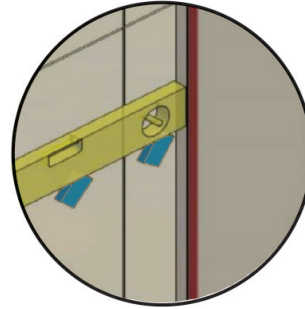


FIG 22.

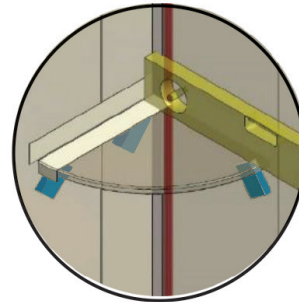


FIG 23.

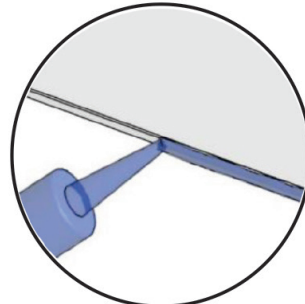


FIG 24.

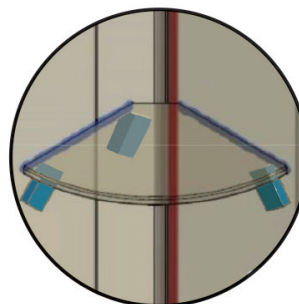


FIG 25.

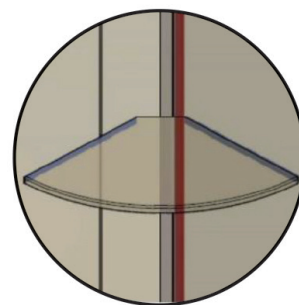


FIG 26.

11. COMMISSIONING SHOWER

- Clean glass end ensure no silicone residue remains on glass, channel or surrounding area.

12. CARE AND MAINTENANCE

- Clean shower twice weekly using a mild detergent in warm water and a soft lint free cloth. Ensure aluminium channels, hinges and handle are properly cleaned.
- A quick wipe down with Shower Squeegee after each use will become a matter of habit rather than a chore and will prohibit water staining the glass.
- Do not use abrasive cleaners or high strength chemicals on your shower.

AVA WALK IN INSTALLATION INSTRUCTIONS

14. AVA WARRANTY

Crest Shower Systems warrants that when installed as per the supplied instructions, the AVA Shower System will be free from manufacturing defects for a period of 25 years from the date of sale. This means that apart from the typical surface splash, no water will be allowed to leak into the building structure for a minimum of 25 years.

25 YEAR WARRANTY	10 YEAR WARRANTY
AVA WATERPROOF SHOWER BASE	GLASS SCREENS HARDWARE ALUMINIUM CHANNEL

All products supplied by Crest Shower Systems exceed the requirements of the New Zealand Building Code and all glass is manufactured to meet AS/NZS2208 1996 Grade A Safety Glass and is permanently marked as such in accordance with the code.

Crest Shower Systems will supply replacement parts or product at its discretion, free of charge where product is covered by this warranty and proof of defect has been received within 100 days of first appearance. To ensure warranty remains valid, the supplied care and maintenance instructions must be adhered to and the Crest Warranty form supplied with the product must be complete and returned at time of purchase (hard copy or Online). Warranty is non-transferable.

Crest will be liable for the replacement of products or components including their installation, or for an equivalent product including its installation, should the supplied product or component be declared defective by an authorised Crest Shower Systems representative. Beyond this, Crest will not be liable for any damages including incidental or consequential damages related to the use of this product.

Warranty does not apply to the following situations:

- Shower has been improperly installed.
- Shower has been misused or damaged.
- Shower damaged or defective prior to installation.
- Supplied instructions were not adhered to during installation. Note: Discretion must have been used at all times by installer as each situation may vary.

INSTALLATION WARRANTY

Your approved Crest shower installer should provide you with a written 5 year minimum installation workmanship warranty. Product warranty applies regardless of who has installed the shower.

W A R N I N G

This AVA Shower has just been installed.

PLEASE DO NOT WORK IN OR AROUND THE SHOWER UNTIL



Any queries feel free to ring me on:



**Best Regards
Your Shower Installer**

crest
showers

CREST SHOWER SYSTEMS

W: www.crestshowers.co.nz

E: sales@crestshowers.co.nz

P: 0800 40 40 42