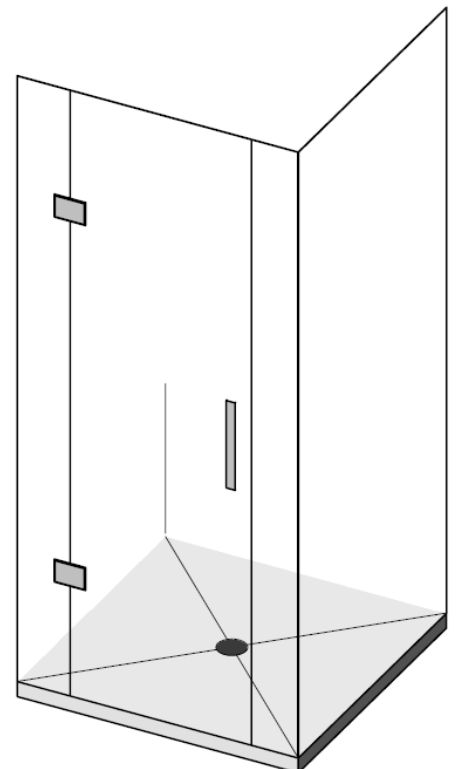
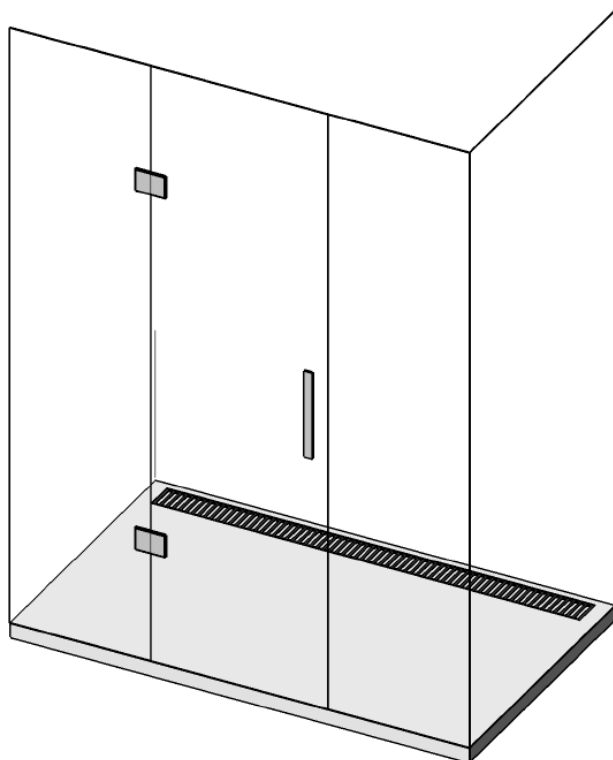


**AVA
HINGED DOOR
INSTALLATION
INSTRUCTIONS**



AVA HINGED DOOR INSTALLATION INSTRUCTIONS

crest
showers

NOTE: Read and understand all instructions before installing this shower

GENERAL SHOWER INFORMATION

- Due to weight of panels and base, 2 people may be needed to install shower.
- Walls must be plumb to a 2-3mm tolerance where shower is to be installed.
- Floor must be square to wall.

GLASS SAFETY

- Keep glass standing upright.
- Always sit glass on a padded surface i.e. polystyrene.
- Take extra precautions with edges of glass panels.
- If toughened safety glass hits a hard surface or is hit by a hard object, it may shatter or compromise the integrity of the glass.
- It is recommended that safety gloves and glasses are worn during installation.

AVA HINGED DOOR / /



PARTS LIST

INCLUDED:

- Glass Panels
- Channel Extrusion kits
- Installation Kit
- Shower Base
- Easy Clean Waste
- Silicone & Adhesive
- Hardware

NEEDED:

- Caulking Gun
- Level
- Masking Tape
- Drill
- Screw Driver
- Spray Bottle with Soapy Water
- Paper Towels
- Tape Measure
- Gib Cutter (if Gib already run to the floor)

AVA HINGED DOOR INSTALLATION INSTRUCTIONS

IMPORTANT INFORMATION:

Please read all instructions and warranty information before beginning installation.

It is assumed that this installation is being carried out by qualified trades-people.

The AVA shower base is a durable product but care must be taken during installation. Rough handling, impacts to wall flanges and other areas can cause unnecessary breaks which are not covered under warranty.

Please carefully lift and lower the shower base into position. Suction handles as used by glaziers can be very useful for this. **DO NOT DROP, HIT OR SLIDE SHOWER BASE.**

Once out of its freight packaging and after installation we firmly recommend keeping the base surface covered to remove the risk of unnecessary damage i.e. dropped tools, tiles, glass, paint etc. The packaging can be easily cut down/modified to make a covering until work is complete.

ORDER OF SHOWER INSTALLATION

1. Base
2. Gib Lining
3. Water Proofing
4. Channels
5. Tiles
6. Glass

INSTALLATION INSTRUCTIONS

1. DRY FITTING THE BASE

- Clean/prepare floor surface in accordance with directions on adhesive. Check floor for level surface, noting any humps and falls. The floor must be completely clean and free from all dust. Walls should be plumb.
- Fit the shower base into position by carefully lifting and lowering into place. The shower base must fit square/plumb to adjacent walls and be rock solid under foot.
- Ensure the inside face of the upstand is flush with the Gib (FIG 2). The AVA shower bases are designed with an upstand that requires the tray to be fitted hard up against the timber framing and for the GIB board to sit flush with the top of the upstand. This allows the waterproofing to cover that join between the upstand and Gib, creating a waterproof seal.
- If the GIB board has been fitted down to the floor and covering the framing where the base needs to be, you need to place the tray up against that area and using a pencil trace along the top of the upstand onto the Gib.
- Remove the base and cut the Gib along the pencil line with a Gib cutter and remove. This will give you the necessary clearance to fit the base up against the framing.
- If required, use plastic H packers to level the shower base in all directions, particularly through the drain channel (if channel waste model supplied) (FIG 3B).
- Once sitting level and in correct position, carefully remove tray. Secure H packers to the floor to prevent them shifting when refitting tray.
- Once base is re-positioned, connect the waste trap to the shower tray.

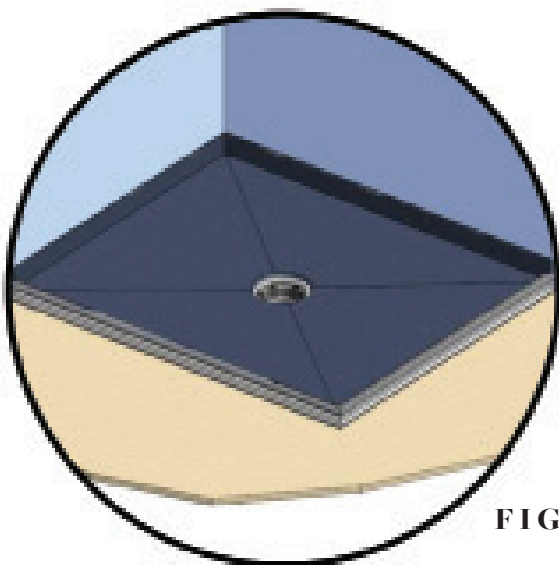


FIG 1.

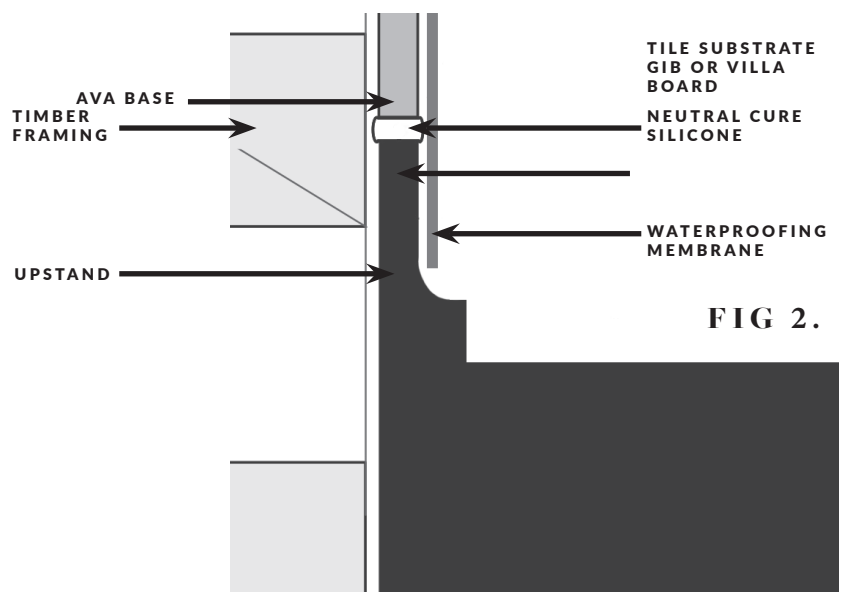


FIG 2.

AVA HINGED DOOR INSTALLATION INSTRUCTIONS

2. INSTALLING THE WASTE BODY

CENTRE WASTE

- Remove polystyrene block. Place waste body in position ensuring that it is aligned with hole in base. Connect waste body to waste outlet (FIG 1A).
- Ensure waste seal (red) is positioned properly in its recess.



FIG 3A.

CHANNEL WASTE

- Fit Leak Control Flange Outlet into the floor, so it can be connected to the outlet S-Trap or Waste Pipe.



FIG 3B.

3. LEVEL ENTRY KIT

- Level entry applications require a Level Entry Kit flashing (GREEN ANGLE in FIG 4) to be siliconed to the base. The waterproofing outside the shower will lap onto this flashing as shown (RED LINE FIG 4). Please refer to supplied dimension sheet for measurements.

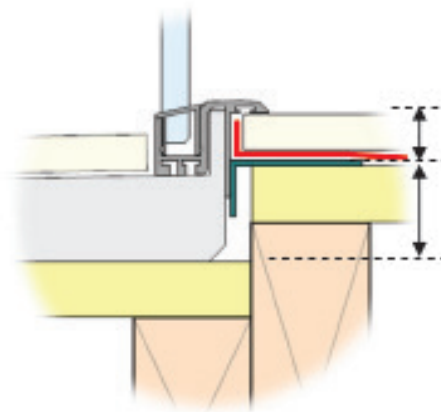


FIG 4.

AVA HINGED DOOR INSTALLATION INSTRUCTIONS

4. FIX THE SHOWER BASE IN PLACE

- Carefully stand shower on edge in vertical position.
- Apply adhesive in continuous parallel 8mm lines approximately 100mm apart (FIG 5) including a ring around the waste hole.
- Enough adhesive must be applied to contact with the floor and when set will provide a full and even support.
- Re-position shower base in place as per dry fit. Check again for level.
- Seal between top of upstand and bottom of Gib with silicone, ensuring the inside face of both are flush (FIG 6).
- Allow the adhesive & silicone to fully set for at least 8 hours before standing on the shower base.

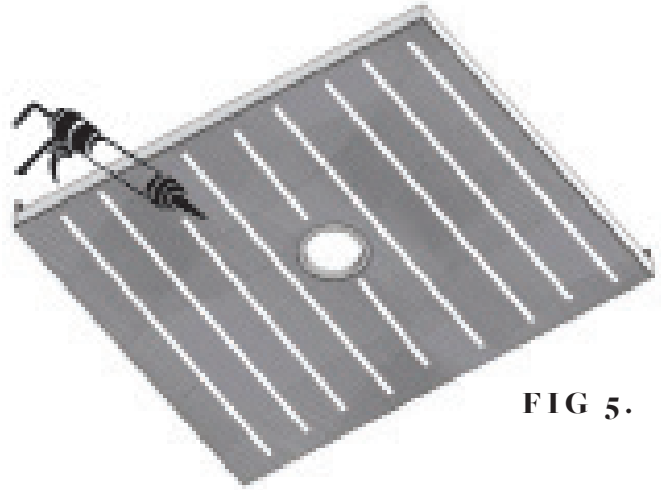


FIG 5.

5. WATERPROOFING

AVA bases are pre primed so do not need a primer. Crest Showers recommends applying a waterproof bandage covering the join between the top of the upstand and the bottom of the Gib board before applying waterproofing membrane down to the bottom of the upstand over the base, down into the waste hole and out to the floor or as per your Council's required application area. However, it is up to your registered waterproofer's discretion whether they wish to follow this recommendation.

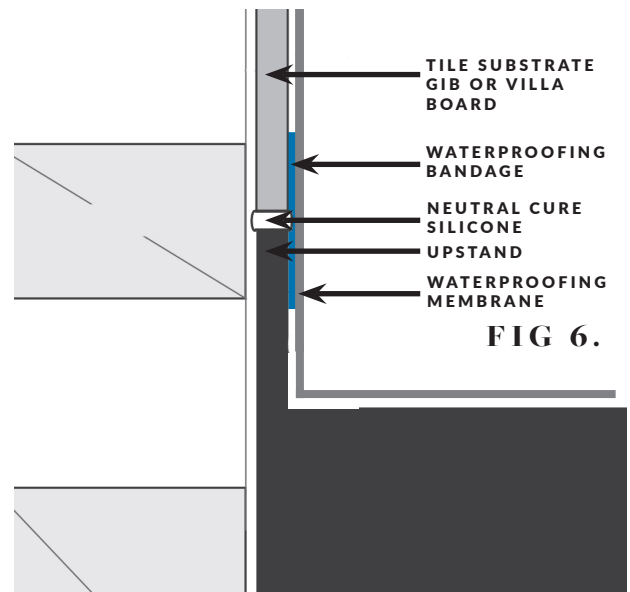


FIG 6.

6. INSTALLING THE WASTE TOP

CENTRE WASTE

- Place top waste clamp into recess and down into waste body then fasten top clamp in place (FIG 5) by fixing screws. Screws need to be firm but not over-tight.
- Screw waste lid onto top clamp.
- Put large polystyrene block back in position to protect base surface.

NOTE: Do not remove protective cover label on waste lid until completing the installation process.

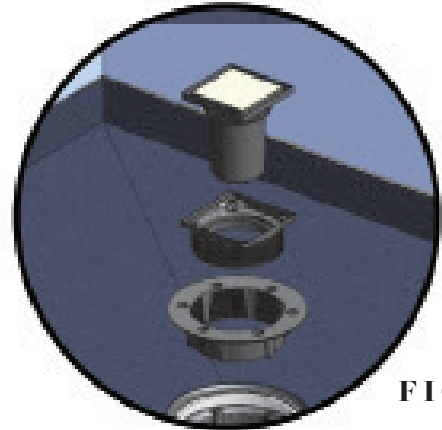
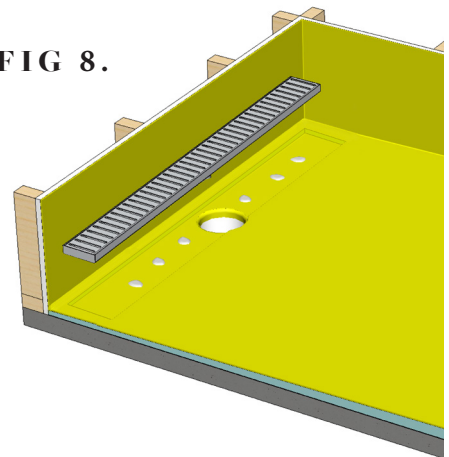


FIG 7.

CHANNEL WASTE

- Once the water proofing has cured, the tiler will need to set the height of the channel waste drain lid to align with the finished surface of the selected tiles. This is achieved by applying large 'daubs' of adhesive under the channel drain to set the finished channel drain height. This is also to allow any leakage of water beneath the tiles to be able to drain towards the waste outlet under the channel drain. (A solid mass of adhesive will trap any water around the channel drain and cause pooling of water.)
- Position the channel drain on the daubs of adhesive and check the final height is set below the finished tile height. Ensure a 15-20mm clearance is around all sides of the channel drain to accommodate for wall tiles so the lid is able to be removed for cleaning.

FIG 8.



3. INSTALLING GLAZING CHANNELS

- Use a 2 meter level to check walls are within 2-3mm of plumb.
- Using measurements on dimension sheet, mark out channel positions on base. Set out floor channels and check shower entry space dimensions are correct.
- Clean base and underside of channel with a dry rag.
- Place floor channel in position. Remove plastic backing from stabilizer blocks and adhere to base either side of channel to keep in place **(FIG 9)**.
- Slide wall channel on top of floor channel, making sure they butt up to each other and insert channel connector inside 'wall to floor' join to help line up the wall channel **(FIG 10)**.
- When plumb, drill 2 holes (3.5mm Dia.) in wall channel, lining up with framing locations. **(FIG 11)**. The top hole should be within 100mm of top of channel and the second hole within 1000mm of top of channel. No screws will be required lower than 1200mm up from bottom of base.
- Remove dust from holes and from inside floor channel.
- Clean underside of wall and floor channels with a dry rag before running a thick bead (be very liberal to allow overflow and proper adhesion) of silicone in a continuous line down the entire length of the back of the channel **(FIG 12)** and place into position. Pop out channel connector and apply silicon into the floor to wall junction, popping the channel connector back in once done.
- Inject silicone into and around screw holes. Ensure wall channel is plumb, then screw in place.

IMPORTANT:

PLEASE MEASURE WALL CHANNELS

**For hinged door showers, wall channels will measure 1940mm standard.
For custom panels, your wall channels will measure 10mm less than your glass height.**



FIG 9.

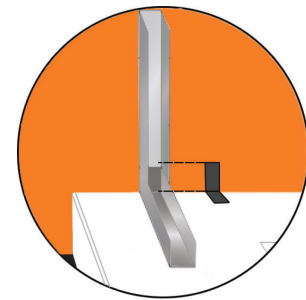


FIG 10.

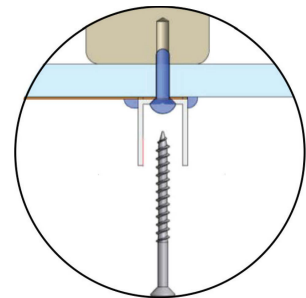


FIG 11.

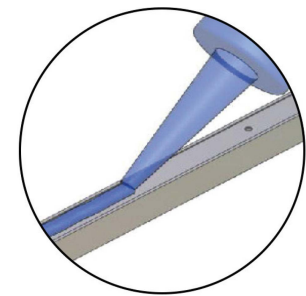


FIG 12.

IMPORTANT

As an added waterproofing precaution, you can apply a continuous bead of silicon down the whole length of wall channel either on the interior or exterior of the wall channel as at your discretion.

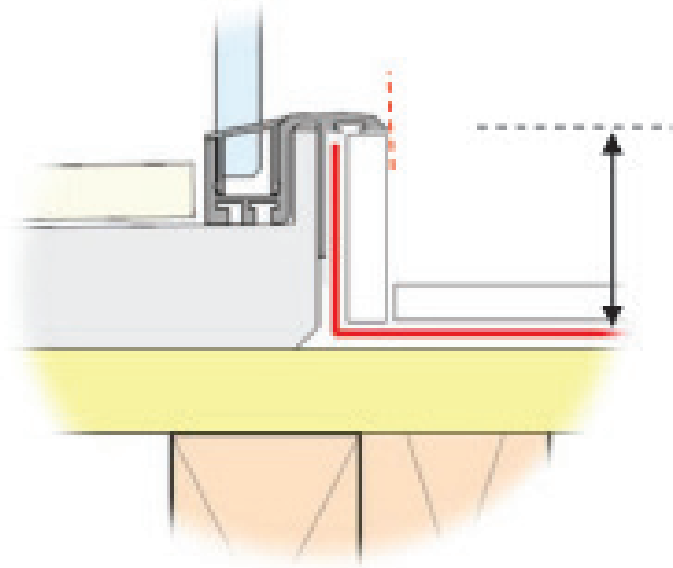
AVA HINGED DOOR INSTALLATION INSTRUCTIONS

crest
showers

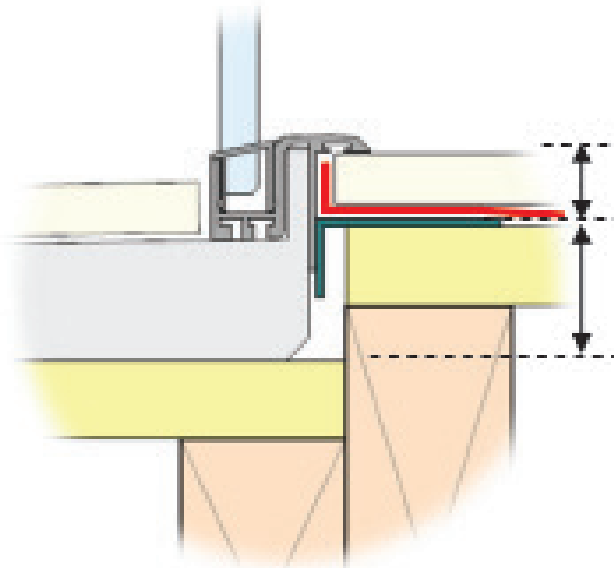
IMPORTANT NOTE FOR TILER

When installing the glass panels, ensure the shower pan is level and the glass panels are supported by the correct hardware.

HOB ENTRY



LEVEL ENTRY



GLASS PANELS

AVA HINGED DOOR INSTALLATION INSTRUCTIONS

CORNER HINGED DOOR / /

6. INSTALLING PANELS

© h\ku° Vu †

...

- Place a spirit level on top of the floor channel, and insert packers under it to achieve a suitable level.
- Insert an 8mm packer in the wall/floor corner of the channel and add/remove packers, as determined above, at the other end of the panel.
- Repeat for remaining panels
- Ensure that the tops of the panels are all level and in line with each other. You may need to fine tune the packers to achieve this.
- When panels are correctly aligned, remove Panel 1 (**FIG 13**), and run a thick continuous line of silicone down the inside of the wall channel (**FIG 14**) and apply liberally in the wall to floor channel join and along the floor channel to the length of the glass panel.
- Slide glass panel into position (**FIG 15**) and use small wedges (**FIG 16**) or a flat plastering blade to slide glass panel back to inside edge of channel and against silicone.
- Ensure panel is still level and plumb.

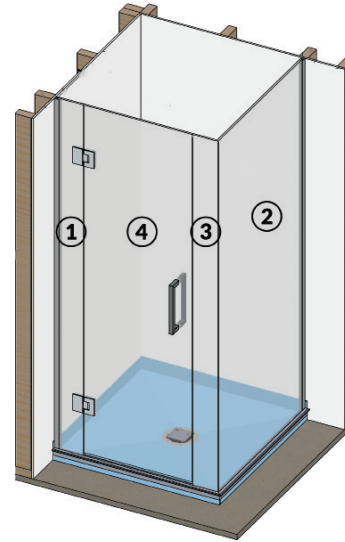


FIG 13



FIG 14.

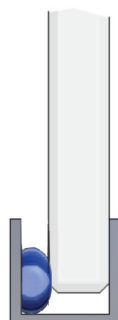


FIG 15.

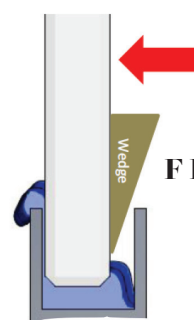


FIG 16.

AVA HINGED DOOR INSTALLATION INSTRUCTIONS

crest
showers

CORNER HINGED DOOR / /

7. FINISHING GLAZING CHANNEL TO GLASS PANEL JOIN

- Starting at the top of the wall channel, from outside the shower, spray with warm soapy water then insert rubber wedge seal into gap (removing timber wedges if used) (**FIG 17**). Leave rubber wedge protruding 40mm at top to cut off later.

IMPORTANT: Rubber wedge must be pressed into channel lightly from top to bottom before pushing right in. This method ensures rubber wedge does not get stretched and then shrink later.

- Repeat steps 7 and 8 with panel 2. (FIG 13)
- Fasten chrome brackets to overhead brace and sit in place above door gap (FIG 19).

FOR GLASS TO GLASS JOINS:

- Dry fit the panel, using the same packer as the panel you are joining to.
- Check that door gap is the same at top and bottom of panels
- Run a continuous bead of silicon down entire length of 10mm face of installed wall to glass panel and across floor channel to the width of the glass to glass panel (**FIG 20**).
- Gently place glass to glass panel into siliconed floor channel and tilt gently upwards until it joins to glass to wall panel (**FIG 21**). Ensure there is no side to side movement while placing panel as this will smear silicone.
- Hold glass to glass join in place with insulation/gaffa tape (**FIG 22**).
- Allow silicone to cure for 48hours before installing top rail.

- Cut off excess rubber wedge.
- Spray channels and glass with slightly soapy water then use spatula provided to clean off excess silicone (**FIG 23**). Repeat this process 3 times. Use minimal water then wipe off with paper towels. Tough Wipes or Baby Wipes are also good to use for this.

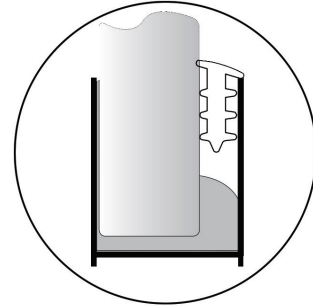


FIG 17.

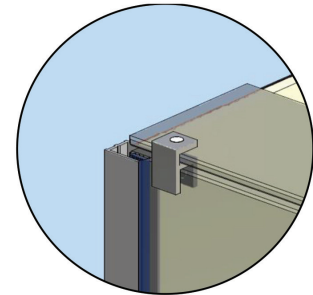


FIG 19.

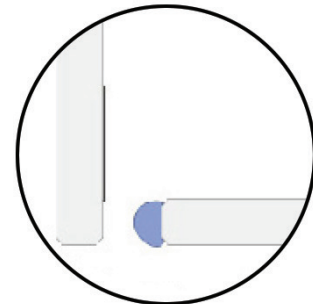


FIG 20.

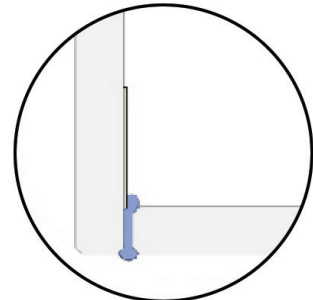


FIG 21.

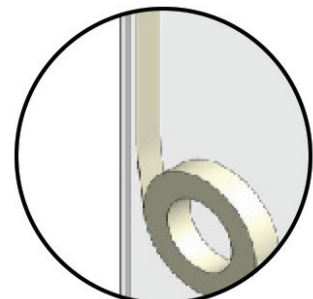


FIG 22.

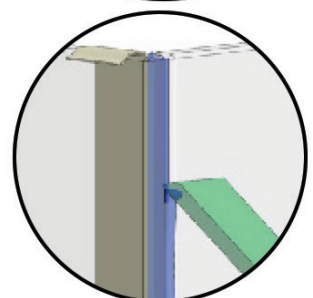


FIG 23.

AVA HINGED DOOR INSTALLATION INSTRUCTIONS

INSTALLING THE BRACE

- Fasten chrome brackets to overhead glass brace and sit in place above door. When panels are aligned correctly, tighten grub screws. (FIG 24a).

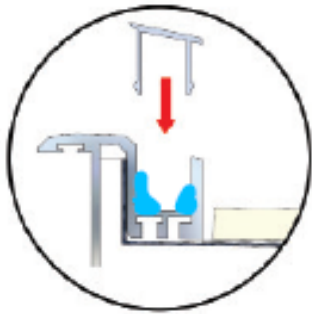


FIG 24.

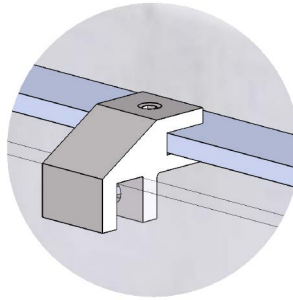


FIG 24a .

10. INSTALLING THE DOOR

NOTE: Each hinge plate requires rubber gaskets to protect the glass.

- Fasten hinges to return panel and place in closed position. The screws should face into shower and the hinge pivot point should be on door panel (FIG 25). There must be 1x rubber gasket (supplied) between each hinge plate and the glass to prevent direct contact.
- Place large timber wedges in door way on a cloth to allow you to align the door with the hinges. Standing inside of shower, lift door panel onto the wedges (you may need to adjust the position to attain the correct height) and fasten to hinges. Fully tighten all hex screws but do not over tighten.
- Install the door handle with grub screws on outside of shower (FIG 26).

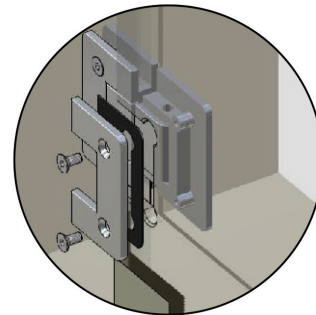


FIG 25.

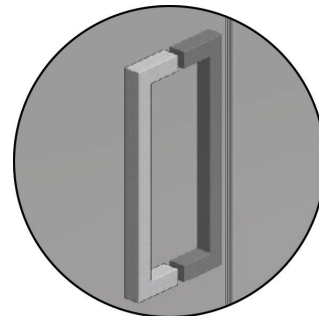


FIG 26.

11. INSTALLING SHELVES

Crest Showers Floating Glass Shower Shelf can be installed in any corner of a glass or tile wall. If two shelves are installed in the same corner, ideal shelf heights off the floor are 1200 & 1600mm. When installed in different corners, an ideal height is 1400mm off the floor.

When installing onto Seratone, Hardiglaze or Sim, apply insulation/gaffa tape to the liner then adhere the stabiliser block on top of the tape. This makes the blocks easier to remove and protects the wall board surface.

We **DO NOT** recommend installing these on FLAT acrylic liners, due to adhesion difficulties. They are however, compatible with CREST moulded liners. If you do wish to use on an acrylic surface, ensure the acrylic liner where you are mounting the shelf is roughened with sandpaper and extra time is taken before shelf is used.

IMPORTANT: Protect the shower floor until adhesive has fully cured in case of the unlikely event that shelf/shower is disturbed and the shelf falls.

- Clean area shelf is being adhered, to ensuring it is free of any dust, soap scum, cleaners or any other substance.
- Remove plastic backing from stabiliser blocks and press firmly onto wall (**FIG 27**).
- Place the shelf in position to confirm that it is level. If required, adjust the stabiliser blocks to suit. Optional - apply insulation/gaffa tape to shelf/wall to prevent bleeding of the adhesive onto the wall or shelf.(**FIG 28**).
- Remove shelf and put a thin bead of adhesive down both edges of shelf (**FIG 29**).
- Carefully place shelf on stabiliser blocks and gently push into corner. Check the level and add additional blocks to top of shelf to hold in place while adhesive cures. (**FIG 30**).
- Clean up adhesive with spatula. Remove insulation/gaffa tape.
- After 24-48 hours remove stabiliser blocks (**FIG 31**).

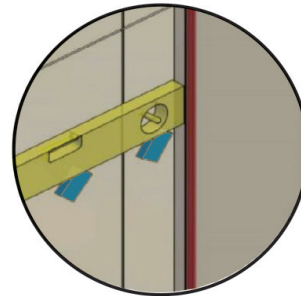


FIG 27.

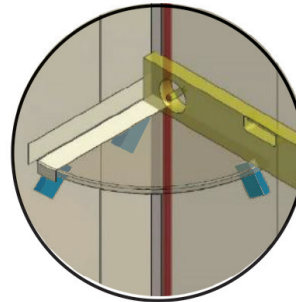


FIG 28.

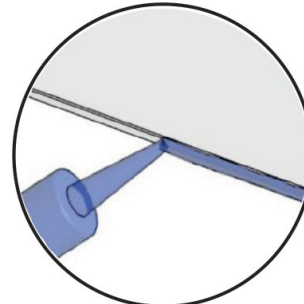


FIG 29.

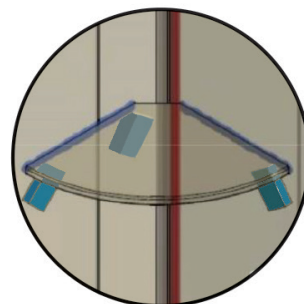


FIG 30.

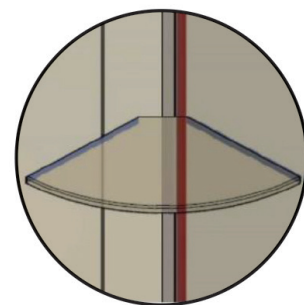


FIG 31.

12. COMMISSIONING YOUR SHOWER

- Remove door wedges from underneath door. **NOTE:** Door may drop at top up to 1mm as door wedges are removed.
- Open and close door a few times and check if the hinges are quiet. If not, open door half way, loosen hex screws slightly then re-tighten hinges.
- Check if top of door closes in line with return panel. If not, put packers underneath door and adjust hinges.
- Check if door springs closed to line up with return panel. If not, adjust hinges. Top and bottom hinges must be treated the same.
- Check if top of door is level with return panel. If not, loosen hex screws slightly, adjust height and re tighten.
- If required, slide drip seal onto bottom of door and trim fin (FIG 31). Seal should just miss top of base when door is shut. If gap between door and floor is too large, seal can be lowered up to 6mm. Seal fin can also be trimmed if too long.
- Clean glass end ensure no silicone residue remains on glass, channel or surrounding area.

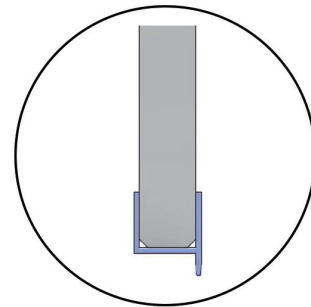


FIG 32.

13. CARE AND MAINTENANCE

You can keep your AVA shower looking it's very best by following a few simple guidelines:

- Clean shower twice weekly using a mild detergent in warm water and a soft lint free cloth. Ensure channels, hinges and handle are properly cleaned.
- A quick wipe down with a shower squeegee after each use will prohibit water staining the glass.
- Do not use abrasive cleaners or high strength chemicals on your shower.

AVA HINGED DOOR INSTALLATION INSTRUCTIONS

AVA WARRANTY

Crest Shower Systems warrants that when installed as per the supplied instructions, the AVA Shower System will be free from manufacturing defects for a period of 25 years from the date of sale. This means that apart from the typical surface splash, no water will be allowed to leak into the building structure for a minimum of 25 years.

25 YEAR WARRANTY

AVA WATERPROOF
SHOWER BASE

10 YEAR WARRANTY

GLASS SCREENS
HARDWARE
ALUMINIUM CHANNEL

All products supplied by Crest Shower Systems exceed the requirements of the New Zealand Building Code and all glass is manufactured to meet AS/NZS2208 1996 Grade A Safety Glass and is permanently marked as such in accordance with the code.

Crest Shower Systems will supply replacement parts or product at its discretion, free of charge where product is covered by this warranty and proof of defect has been received within 100 days of first appearance. To ensure warranty remains valid, the supplied care and maintenance instructions must be adhered to and the Crest Warranty form supplied with the product must be complete and returned at time of purchase (hard copy or Online). Warranty is non-transferable.

Crest will be liable for the replacement of products or components including their installation, or for an equivalent product including its installation, should the supplied product or component be declared defective by an authorised Crest Shower Systems representative. Beyond this, Crest will not be liable for any damages including incidental or consequential damages related to the use of this product.

Warranty does not apply to the following situations:

- Shower has been improperly installed.
- Shower has been misused or damaged.
- Shower damaged or defective prior to installation.
- Supplied instructions were not adhered to during installation. Note: Discretion must have been used at all times by installer as each situation may vary.
- Shattering panels as due to the toughening process, cause cannot be determined.

INSTALLATION WARRANTY

Your approved Crest shower installer should provide you with a written 5 year minimum installation workmanship warranty. Product warranty applies regardless of who has installed the shower.

WARNING

This AVA Shower has just been installed.

PLEASE DO NOT WORK IN OR AROUND THE SHOWER UNTIL



Any queries, feel free to ring me on:



**Best Regards
Your Shower Installer**

crest
showers

CREST SHOWER SYSTEMS

W: www.crestshowers.co.nz

E: sales@crestshowers.co.nz

P: 0800 40 40 42